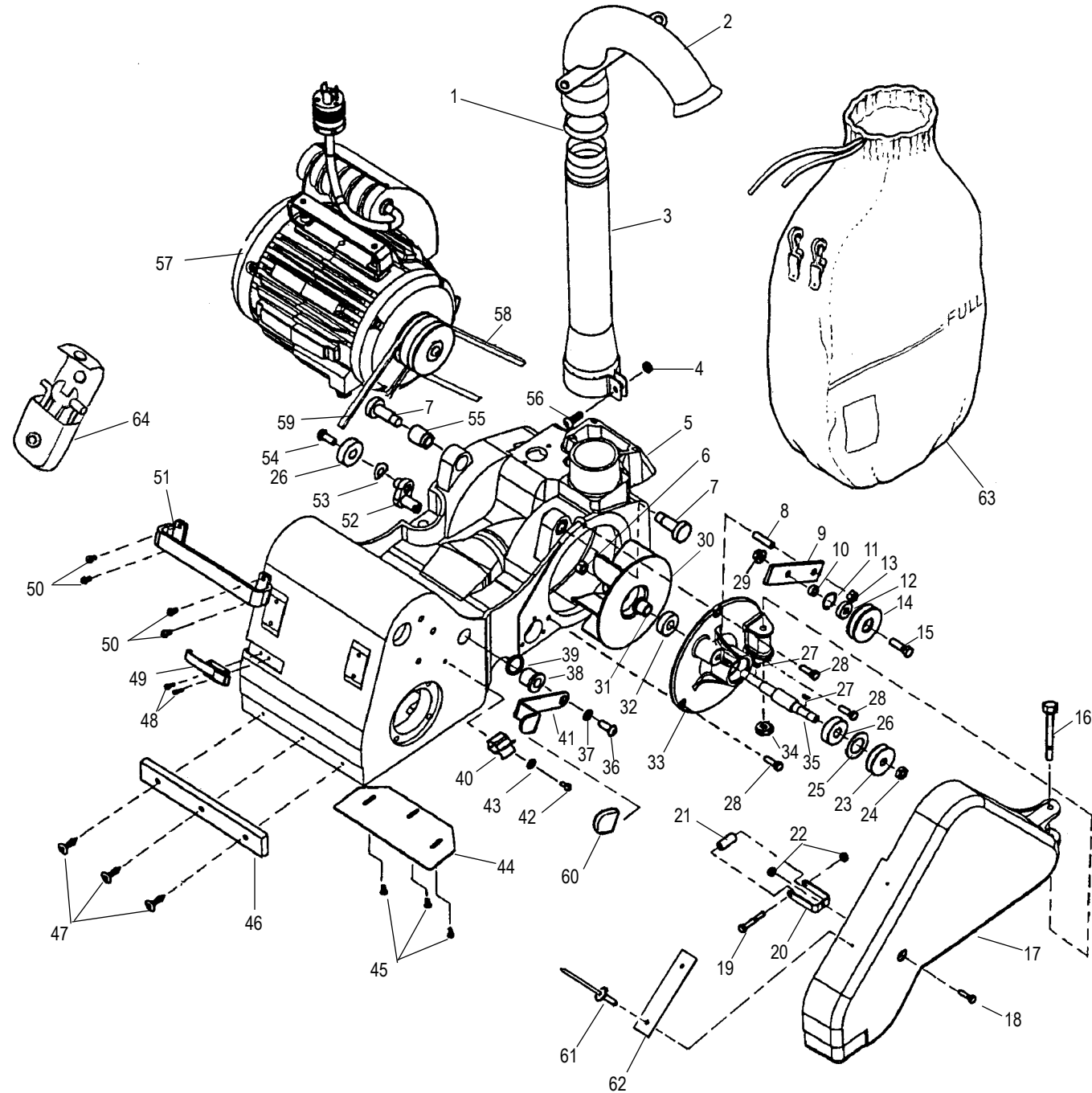


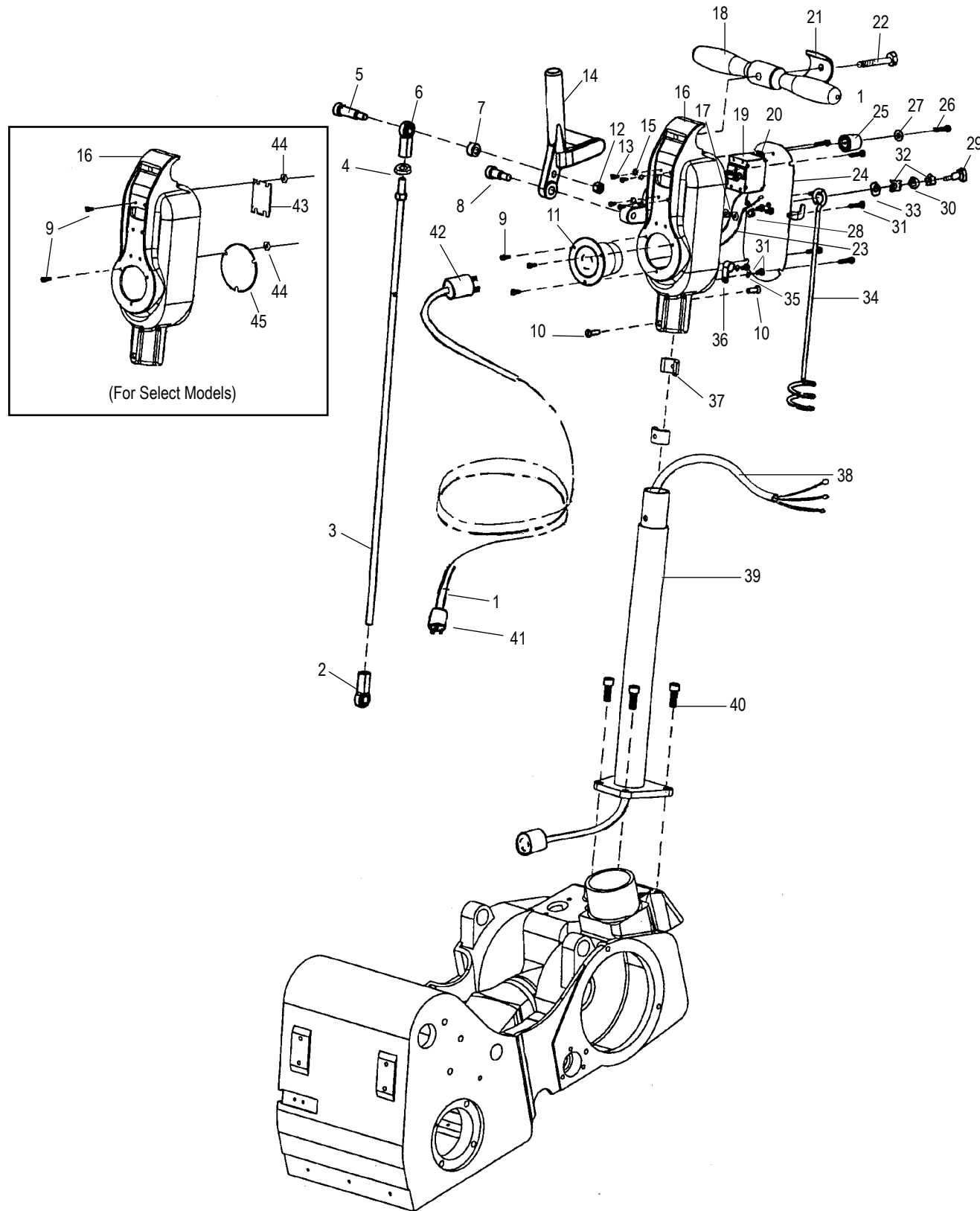
**Clarke**  
**American Sanders**  
 FloorCrafter  
 Main Assembly Drawing #1 6/02



**Clarke**  
**American Sanders**  
 FloorCrafter Belt Sander  
 Main Assembly Parts List #1 1/04

| Ref No. | Part No | Description  | Qty | Ref No. | Part No | Description   | Qty |
|---------|---------|--|-----|---------|---------|---|-----|
| 1       | 60342A  | Seal, Felt   | 1   | 35      | 60370A  | Shaft, Fan  | 1   |
| 2       | 10142A  | Asm., Dust Tube Elbow                              | 1   | 36      | 962870  | Screw, $\frac{3}{8}$ -16 x $\frac{7}{8}$ Button       | 1   |
| 3       | 10144A  | Asm., Tube, Dust                                   | 1   | 37      | 87000A  | Washer  | 1   |
| 4       | 920342  | Nut, $\frac{3}{8}$ -16 Lock                        | 1   | 38      | 51215A  | Bearing, flange                                       | 1   |
| 5       | 20022A  | Mainframe  | 1   | 39      | 87052A  | Washer  | 2   |
| 6       | 81202A  | Nut, $\frac{7}{16}$ -14 L.H.                       | 1   | 40      | 61600A  | Clip-dust   | 1   |
| 7       | 60476A  | Pin, Motor Mount                                   | 2   | 41      | 60368A  | Lever, Belt Tensioning                                | 1   |
| 8       | 68010A  | Stud, Idler Arm                                    | 1   | 42      | 86111A  | Screw, $\frac{1}{4}$ -20 x $\frac{1}{2}$              | 1   |
| 9       | 60414A  | Arm, Idler   | 1   | 43      | 980657  | Washer, Lk $\frac{1}{4}$ Std                          | 1   |
| 10      | 67875A  | Spacer   | 1   | 44      | 60397A  | Cover, Dust Throat                                    | 1   |
| 11      | 57801A  | Ring, Retaining                                    | 1   | 45      | 85517A  | Screw, 10-24 x $\frac{1}{2}$                          | 13  |
| 12      | 902619  | Bearing  | 1   | 46      | 60392A  | Bumper, Front   | 1   |
| 13      | 81108A  | Nut, Lock $\frac{3}{8}$ -24                        | 1   | 47      | 51219A  | Rivet, Nylon  | 3   |
| 14      | 66170A  | Pulley, Idler                                      | 1   | 48      | 962727  | Screw, 8-32 x $\frac{1}{2}$                           | 2   |
| 15      | 962216  | Screw, $\frac{3}{8}$ -16 x $1\frac{1}{4}$          | 1   | 49      | 52338A  | Latch, Draw   | 1   |
| 16      | 80017A  | Bolt, $\frac{3}{8}$ x $2\frac{3}{4}$               | 1   | 50      | 87700A  | Screw, $\frac{1}{4}$ -20 x $\frac{1}{2}$              | 5   |
| 17      | 20023A  | Guard, Belt  | 1   | 51      | 60386A  | Handle, Mainframe                                     | 1   |
| 18      | 80131A  | Screw, Carriage, $\frac{1}{4}$ -20 x $\frac{3}{4}$ | 1   | 52      | 51093A  | Cam, Belt Release                                     | 1   |
| 19      | 85702A  | Screw, $\frac{1}{4}$ -20 x $\frac{3}{4}$           | 1   | 53      | 60482A  | Spacer  | 1   |
| 20      | 60384A  | Bracket, Latch                                     | 1   | 54      | 962565  | Screw   | 1   |
| 21      | 68393A  | Tube, Latch  | 1   | 55      | 60475A  | Bolt, Adjustment                                      | 2   |
| 22      | 81102A  | Nut, $\frac{1}{4}$ -20 ESNA                        | 2   | 56      | 962216  | Screw, $\frac{3}{8}$ -16 x $1\frac{1}{4}$             | 1   |
| 23      | 60366A  | Pulley, Fan  | 1   | 57      | Ref.    | Assembly, Motor                                       | 1   |
| 24      | 920196  | Nut  | 1   | 58      | 51039A  | Belt, Fan   | 1   |
| 25      | 877304  | Ring, Retaining, Internal                          | 1   | 59      | 51024A  | Belt Drive  | 1   |
| 26      | 51111A  | Bearing, Ball                                      | 2   | 60      | 52420A  | Cover, Lever  | 1   |
| 27      | 915561  | Key  | 2   | 61      | 930093  | Rivet, $\frac{1}{8}$ x $\frac{5}{16}$                 | 2   |
| 28      | 85812A  | Screw, $\frac{5}{16}$ -18 x $\frac{7}{8}$          | 3   | 62      | 74045A  | Plate, Danger   | 1   |
| 29      | 171101  | Nut, $\frac{3}{8}$ -16 Flange                      | 1   | 63      | 50954A  | Bag   | 1   |
| 30      | 23301A  | Fan  | 1   | * 64    | 10332A  | Tool Kit (includes * items)                           | 1   |
| 31      | 61602A  | Collar   | 1   | *       | 51273A  | $\frac{3}{32}$ Hex Key (incl. in #64)                 | 1   |
| 32      | 902567  | Bearing, Ball                                      | 1   | *       | 51274A  | $\frac{7}{32}$ Hex Key (incl. in #64)                 | 1   |
| 33      | 20026A  | Cover, Fan   | 1   | *       | 51347A  | Pouch (incl. in #64)                                  | 1   |
| 34      | 920110  | Nut, $\frac{5}{16}$ -18                            | 1   | *       | 59810A  | Wrench $\frac{9}{16}$ x $\frac{7}{16}$ (incl. in #64) | 2   |

**Clarke**  
**American Sanders**  
 FloorCrafter Belt Sander  
 Handle Control Assembly Drawing #2 11/04

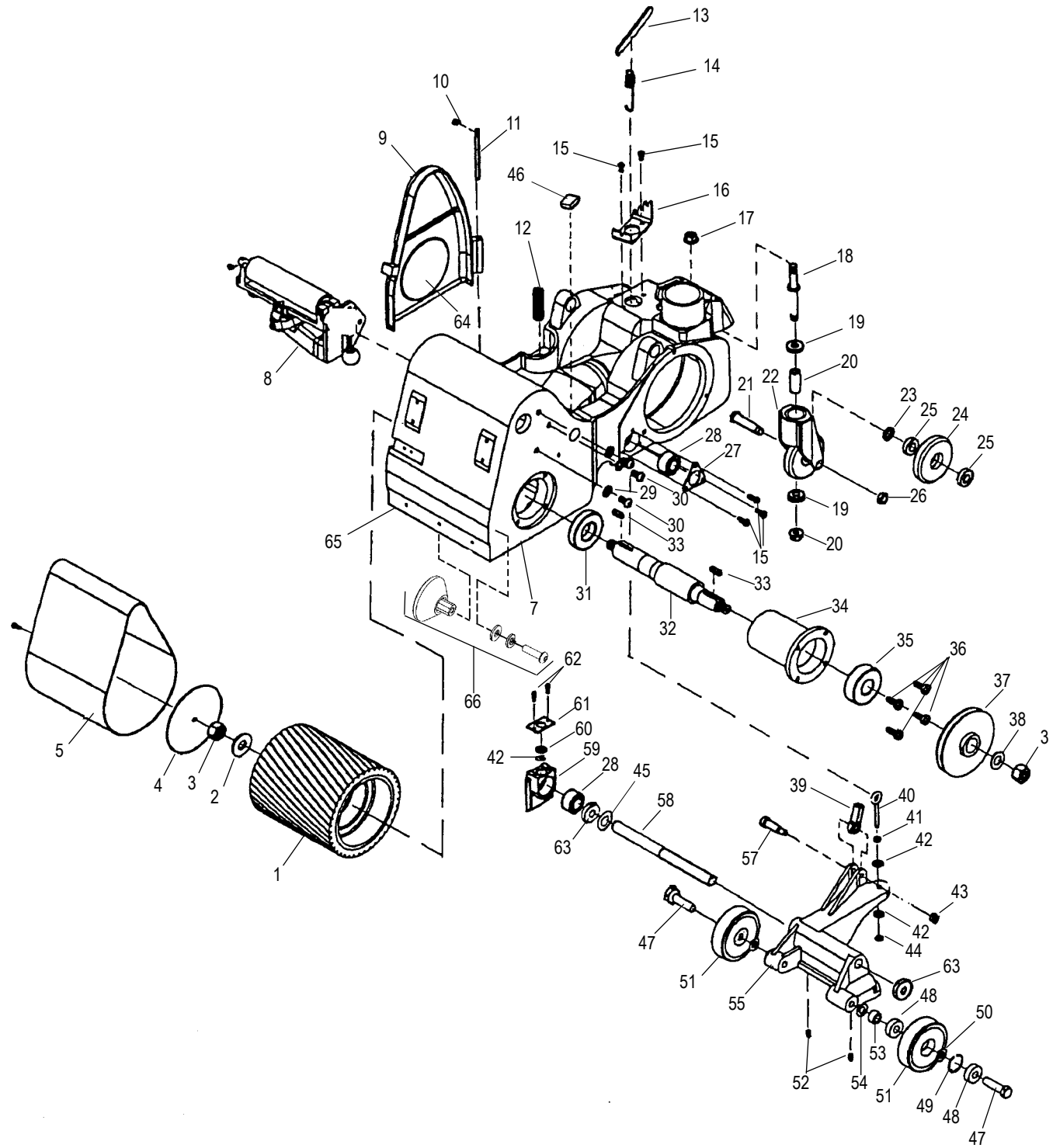


**Clarke**  
**American Sanders**  
 FloorCrafter Belt Sander  
 Handle Control Assembly Parts List #2 1/04

| Ref No. | Part No | Description   | Qty |
|---------|---------|---|-----|
| 1       | 42200A  | Cord Set  | 1   |
|         | 40010A  | Cable Asm. AU2-15P                                  | 1   |
|         | 40673A* | Cable Asm. UK1-13P                                  | 1   |
| 2       | 53538A  | Rod, End $\frac{3}{8}$ "-24 L.H.                    | 1   |
| 3       | 60387A  | Rod, Control  | 1   |
| 4       | 920204  | Nut, $\frac{3}{8}$ "-24 Hex Jam                     | 1   |
| 5       | 80035B  | Bolt, Shoulder $\frac{3}{8}$ " x $1\frac{1}{4}$ "   | 1   |
| 6       | 53537A  | Rod, End, $\frac{3}{8}$ "-24 R.H.                   | 1   |
| 7       | 898203  | Spacer, Rod End                                     | 1   |
| 8       | 80155A  | Bolt, Shoulder $\frac{1}{2}$ " x $\frac{5}{8}$ "    | 1   |
| 9       | 962727  | Screw, 8-32 x $\frac{1}{2}$ "                       | 3   |
|         | 962727  | Screw, 8-32 x $\frac{1}{2}$ "                       | 7*  |
| 10      | 80132A  | Screw, $\frac{1}{4}$ "-20 x $\frac{3}{4}$ "         | 2   |
| 11      | 43501A  | Inlet, Flanged                                      | 1   |
| 12      | 920110  | Nut, Lk $\frac{5}{16}$ "-18                         | 1   |
| 13      | 85313C  | Screw, 6-32 x $\frac{3}{8}$ " Pan Hd                | 4   |
| 14      | 25601A  | Lever, Control                                      | 1   |
| 15      | 980607  | Washer, #6 Tooth Pltd.                              | 4   |
| 16      | 20016A  | Control Housing                                     | 1   |
| 17      | 48900A  | Wire Assembly                                       | 1   |
| 18      | 64405A  | Handle, Steering                                    | 1   |
| 19      | 41411A  | Circuit Breaker, 30 Amp                             | 1   |
| 20      | 81109A  | Nut, Hex, Elastic, Lock, 8-32                       | 1   |
| 21      | 21904C  | Clamp, Steering Handle                              | 1   |
| 22      | 85818A  | Screw, $\frac{5}{16}$ "-18 x $2\frac{1}{2}$ " Hx Hd | 1   |
| 23      | 49023A  | Wire, Assembly                                      | 1   |
| 24      | 10155A  | Assy, Cordholder                                    | 1   |
| 25      | 51220A  | Bumper, Plastic                                     | 1   |
| 26      | 85613A  | Screw, 8-32 x $\frac{1}{8}$ "                       | 1   |
| 27      | 980982  | Washer, #10 SAE, Flat Hd                            | 1   |
| 28      | 81112A  | Nut, Lk., $\frac{5}{16}$ "-18                       | 1   |
| 29      | 80026A  | Bolt, Shoulder, $\frac{3}{8}$ " x $\frac{1}{2}$ "   | 1   |
| 30      | 87619A  | Washer, Flat, .63 x .38 x .03                       | 1   |
| 31      | 85517A  | Screw, 10-24 x $\frac{1}{2}$ "                      | 10  |
| 32      | 980022  | Washer, Wave  | 2   |
| 33      | 87618A  | Washer, Flat  | 1   |
| 34      | 60372A  | Arm, Cord   | 1   |
| 35      | 980699  | Washer  | 2   |
| 36      | 51074A  | Clamp, Cable  | 2   |
| 37      | 60374A  | Clamp, Retainer                                     | 2   |
| 38      | 41917A  | Cord, Interconnecting                               | 1   |
| 39      | 10145A  | Mount, Handle Control                               | 1   |
| 40      | 962288  | Screw, $\frac{3}{8}$ "-16 x 1                       | 4   |
| 41      | 45608A  | Plug (for 42200A)                                   | 1   |
|         | 40024A  | Plug (for 40010A)                                   | 1   |
|         | 45609A  | Plug (for 40673A)                                   | 1   |
| 42      | 41706A  | Connector   | 1   |
|         | 40039A* | Connector (for 40673A)                              | 1   |
| 43      | 40674A* | Cover Switch  | 1   |
| 44      | 920065* | Nut, #8   | 7   |
| 45      | 40675A* | Cover Inlet   | 1   |

\* NOTE: used on machine model 07117A only.

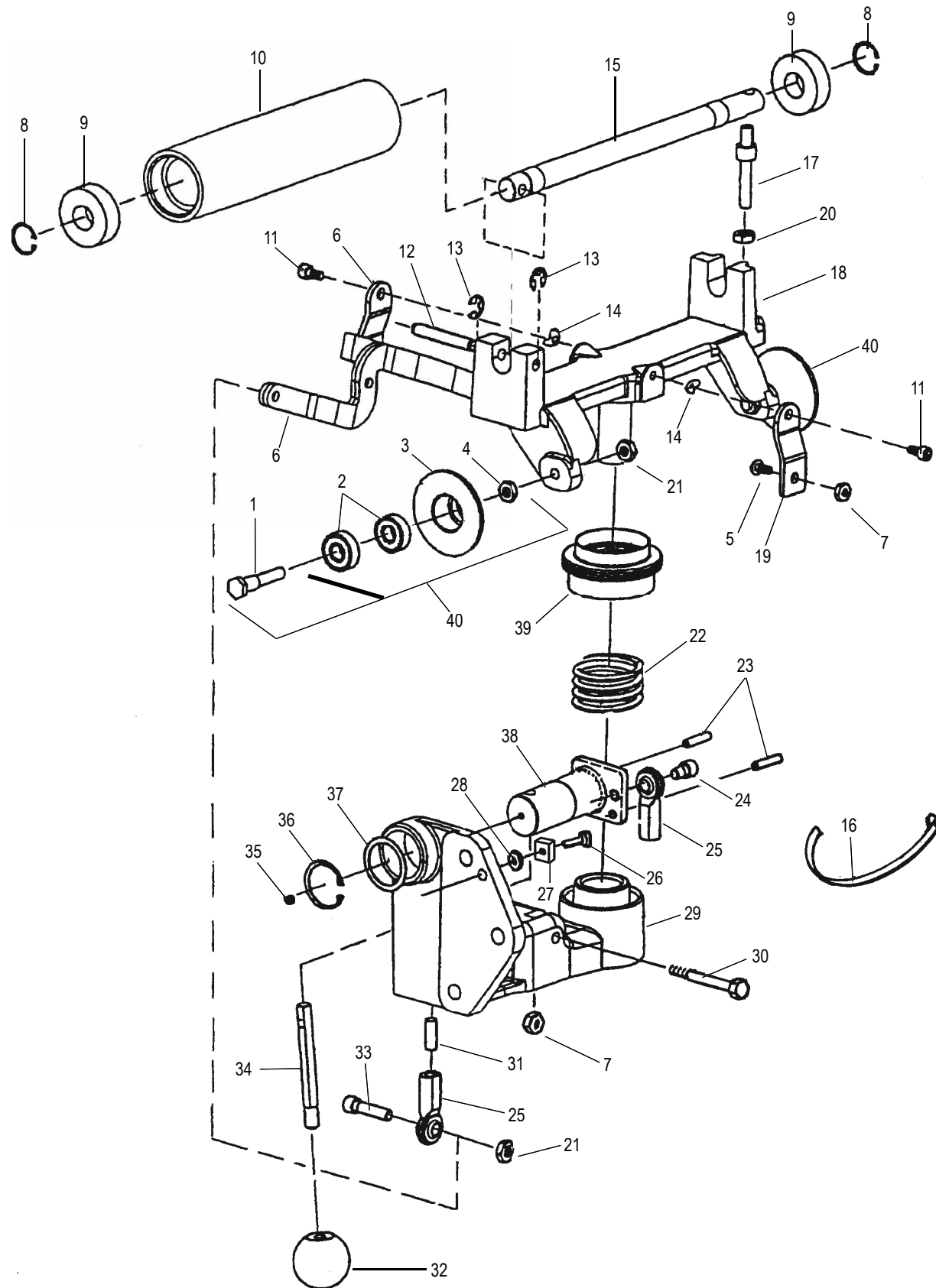
**Clarke®  
American Sanders®  
FloorCrafter Belt Sander**  
Contact Wheel & Truck Assembly Drawing #3 6/05



**Clarke®  
American Sanders®  
FloorCrafter Belt Sander**  
Contact Wheel & Truck Assembly Parts List #3 6/05

| Ref No | Part No. | Description             | Qty | Ref No | Part No. | Description                 | Qty |
|--------|----------|-------------------------|-----|--------|----------|-----------------------------|-----|
| 1      | 20015A   | Wheel, Contact          | 1   | 34     | 51051A   | Bearing, Carrier            | 1   |
| 2      | 60377A   | Retainer, Contact Wheel | 1   | 35     | 51224A   | Bearing, Ball               | 1   |
| 3      | 81106A   | Nut, Hex, Lock 3/4-10   | 2   | 36     | 86110A   | Screw, 7/8-16 x 1           | 4   |
| 4      | 60376A   | Plate, Drum End         | 1   | 37     | 51053A   | Pully, Drum                 | 1   |
| 5      | 50913A   | Belt, Abrasive          | 1   | 38     | 60378A   | Retainer, Motor Pulley      | 1   |
| 6      | 87700A   | Screw, 1/4-20 x 1/2     | 1   | 39     | 53538A   | Rod, End. 3/8 - 24          | 1   |
| 7      | 20022A   | Mainframe               | 1   | 40     | 80119A   | Bolt, Eye, 1/2 ID           | 1   |
| 8      | 10244A   | Tensioner Assembly      | 1   | 41     | 920208   | Nut, Hex, 1/4-20            | 1   |
| 9      | 20021A   | Access, Door            | 1   | 42     | 87007A   | Washer                      | 3   |
| 10     | 51211A   | E-Ring, .25 Dia.        | 5   | 43     | 920110   | Nut, Lk, 5/16-18            | 1   |
| 11     | 60389A   | Pin, Hinge              | 1   | 44     | 81102A   | Nut, 1/4-20 ESNA            | 2   |
| 12     | 60380A   | Screw, Leveling         | 1   | 45     | 980679   | Washer                      | 1   |
| 13     | 60356A   | Lever, Pressure Adj.    | 1   | 46     | 52241A   | Stop Pad                    | 1   |
| 14     | 51096A   | Spring, Pressure Adj.   | 1   | 47     | 51340A   | Shaft, Truck Wheel          | 2   |
| 15     | 962823   | Screw, 1/4-20 x 1/2     | 5   | 48     | 51225A   | Bearing, Ball               | 4   |
| 16     | 60357A   | Bracket, Pressure Adj.  | 1   | 49     | 167312   | Ring, Retaining             | 2   |
| 17     | 81209A   | Nut, Large Flange       | 1   | 50     | 60481A   | Spacer                      | 2   |
| 18     | 60352A   | Shaft, Yoke             | 1   | 51     | 50992A   | Wheel, Asm., Truck          | 2   |
| 19     | 51279A   | Bearing, Ball           | 2   | 52     | 962184   | Screw, 1/4-20 x 3/8 Set     | 2   |
| 20     | 60355A   | Spacer, Caster, Bearing | 1   | 53     | 67817A   | Spacer                      | 1   |
| 21     | 60353A   | Axle, Wheel             | 1   | 54     | 87003A   | Washer                      | 2   |
| 22     | 20024A   | Yoke, Caster            | 1   | 55     | 20017A   | Control Carriage            | 1   |
| 23     | 87003A   | Washer                  | 2   | 56     | 51339A   | Spacer, Truck Wheel         | 1   |
| 24     | 19611A   | Wheel, Asm., Caster     | 2   | 57     | 80035B   | Bolt, Shoulder, 3/8 x 1 1/4 | 2   |
| 25     | 51226A   | Bearing, Ball           | 4   | 58     | 60375A   | Axle, Truck                 | 1   |
| 26     | 920196   | Nut, 1/2-13             | 2   | 59     | 20019A   | Bracket, Leveling           | 1   |
| 27     | 66972A   | Retainer, Bearing       | 1   | 60     | 51203A   | E-Ring                      | 1   |
| 28     | 51190A   | Bearing, Self Aligning  | 2   | 61     | 60351A   | Plate, Retaining            | 1   |
| 29     | 980645   | Washer, 3/8 Flat SAE    | 3   | 62     | 962911   | Screw, 10-24 x 1/2          | 2   |
| 30     | 962870   | Screw, 3/8-16 x 1       | 3   | 63     | 193944   | Grommet, Rubber, 3/4 x 7/16 | 1   |
| 31     | 51223A   | Bearing, Ball           | 1   | 64     | 70236A   | Label, Belt Tracking        | 1   |
| 32     | 51052A   | Shaft, Arbor            | 1   | 65     | 30186A   | Bumper Front Edge           | 1   |
| 33     | 60394A   | Key                     | 2   | 66     | 10958A   | Roller Asm.                 | 1   |

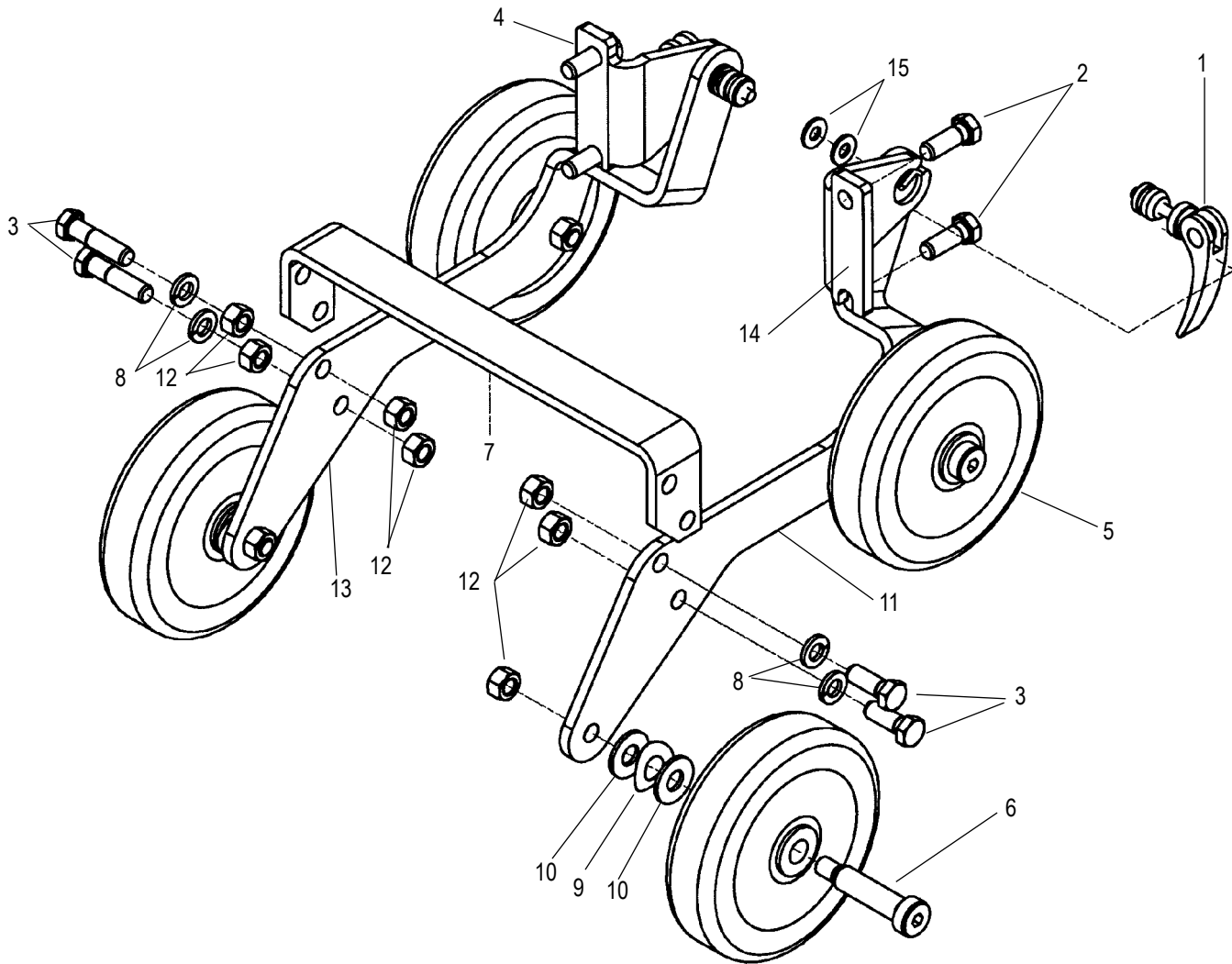
**Clarke**  
**American Sanders**  
 Floorcrafter Belt Sander  
 Belt Tensioner Assembly Drawing #4 6/02



**Clarke**  
**American Sanders**  
 Floorcrafter Belt Sander  
 Belt Tensioner Assembly Parts List #4 6/02

| Ref. No | Part No. | Description              | Qty |
|---------|----------|--------------------------|-----|
| 1       | Ref.     | Shaft, Guide Roller      | 2   |
| 2       | Ref.     | Bearing                  | 4   |
| 3       | Ref.     | Roller Guide             | 2   |
| 4       | 920208   | Nut, Hex 1/4-20          | 3   |
| 5       | 60391A   | Bolt, Shoulder           | 2   |
| 6       | 60393A   | Lever, Draw              | 1   |
| 7       | 920296   | Nut, 10-24               | 3   |
| 8       | 747380   | Ring, Roller, Retaining  | 2   |
| 9       | 902567   | Bearing, Ball            | 3   |
| 10      | 67201B   | Roller, Tension          | 1   |
| 11      | 60395A   | Screw, Link, Retaining   | 2   |
| 12      | 60396A   | Pin, Roller Shaft        | 1   |
| 13      | 51211A   | E-Ring                   | 4   |
| 14      | 80140A   | Washer                   | 2   |
| 15      | 60383A   | Shaft, Tension Roller    | 1   |
| 16      | 699202   | Wire Tie                 | 1   |
| 17      | 60381A   | Adjuster, Tracking       | 1   |
| 18      | 20018A   | Carriage, Tension Roller | 1   |
| 19      | 60382A   | Link, Draw               | 2   |
| 20      | 81303A   | Nut, Hex Jam, 1/4-28     | 1   |
| 21      | 81217A   | Nut, 1/4-20              | 3   |
| 22      | 60379A   | Spring                   | 1   |
| 23      | 925546   | Pin, Roll                | 2   |
| 24      | 962822   | Screw, 1/4-20 x 5/8      | 1   |
| 25      | 51216A   | Rod, End, Female         | 2   |
| 26      | 962508   | Screw, 1/4-20 x 3/4      | 1   |
| 27      | 60906A   | Block, Wear              | 1   |
| 28      | 87007A   | Washer                   | 1   |
| 29      | 20020A   | Support, Tensioner       | 1   |
| 30      | 80020A   | Bolt, Shoulder           | 1   |
| 31      | 51221A   | Link, Connecting         | 1   |
| 32      | 51099A   | Knob, Release            | 1   |
| 33      | 80139A   | Screw, 1/4-20 x 1/8      | 1   |
| 34      | 60364A   | Lever, Tension Relief    | 1   |
| 35      | 962165   | Screw, 10-24 x 3/16      | 1   |
| 36      | 51277A   | Ring, Retaining          | 1   |
| 37      | 87052A   | Washer, Flat, Nylon      | 2   |
| 38      | 10247A   | Cam, Release             | 1   |
| 39      | 30087A   | Boot, Belt Tensioning    | 1   |
| 40      | 14704A   | Guide Roller Assembly    | 2   |

**Clarke®**  
**American Sanders**  
**FloorCrafter Belt Sander**  
**Dolly Assembly Drawing & Parts List #5 7/08**

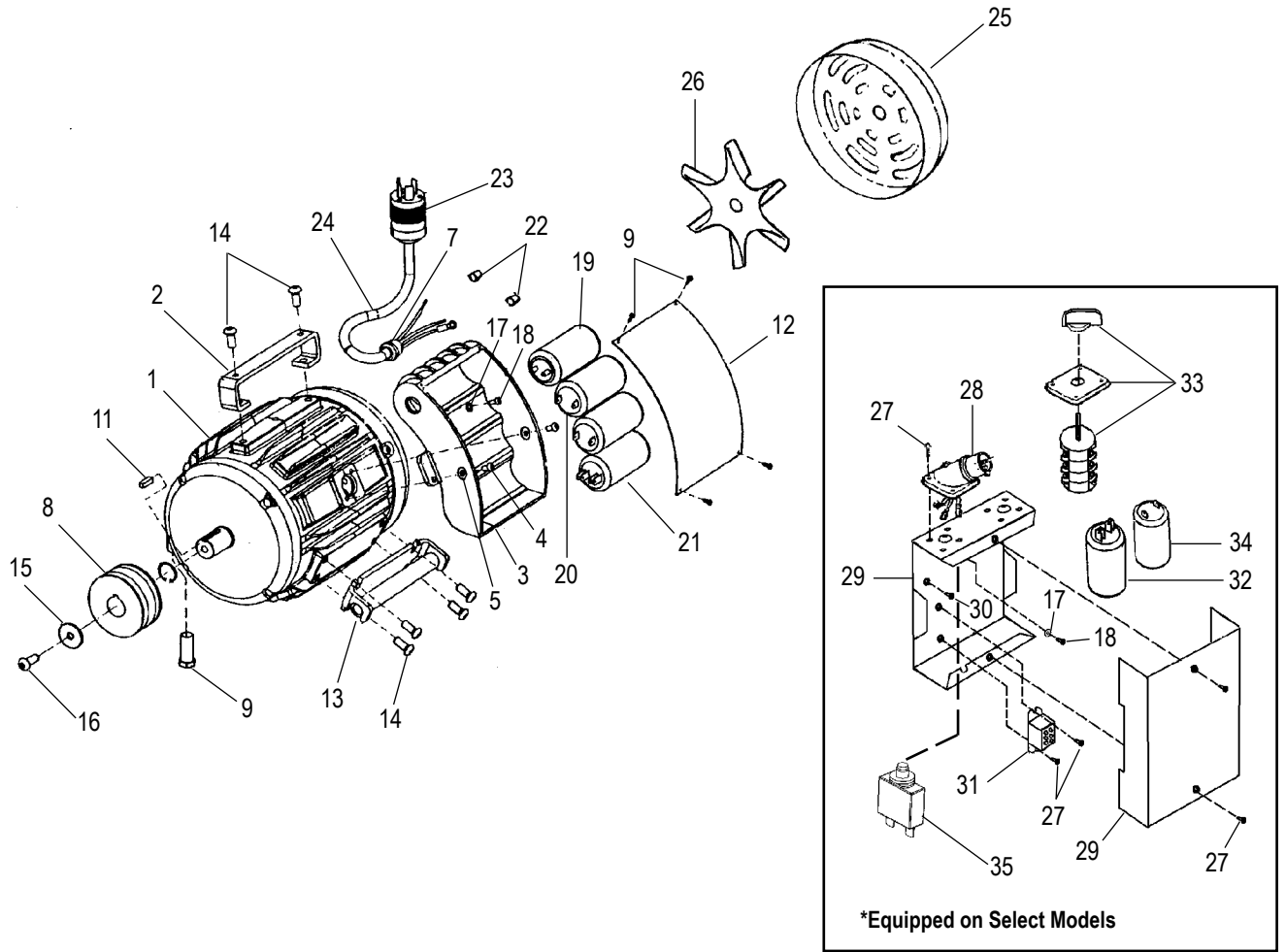


| Ref No. | Part No | Description  | Qty |
|---------|---------|--|-----|
| 1       | 51372A  | Skewer, Clamp                                      | 2   |
| 2       | 962216  | Screw, $\frac{3}{8}$ -16 x 1 $\frac{1}{4}$         | 4   |
| 3       | 962288  | Screw, $\frac{3}{8}$ -16 x 1                       | 4   |
| 4       | 60345A  | Bracket, Left Mounting                             | 1   |
| 5       | 39857A  | Wheel  | 4   |
| 6       | 80047A  | Bolt, Shoulder $\frac{1}{2}$ Dia x 1 $\frac{3}{4}$ | 4   |
| 7       | 60347A  | Brace, Dolly                                       | 1   |
| 8       | 170883  | Washer, $\frac{3}{8}$ Lock                         | 4   |
| 9       | 87627A  | Washer, .875 O.D. Bowed                            | 4   |
| 10      | 980648  | Washer   | 8   |
| 11      | 60349A  | Bracket, Left                                      | 1   |
| 12      | 920260  | Nut, Hex $\frac{3}{8}$ -16                         | 8   |
| 13      | 60348A  | Bracket, Right                                     | 1   |
| 14      | 60346A  | Bracket, Right Mounting                            | 1   |
| 15      | 980646  | Washer, $\frac{1}{4}$                              | 4   |
| Asm.#   | 10392A* | Dolly Asm.   | 1   |

NOTE: # indicates a change has been made since the last publication of this manual.

\*Dolly Asm. (10392A) includes all parts in list except for ref. no. 2 (962216), 4 (60345A) and 14 (60346A).

**Clarke®**  
**American Sanders**  
**FloorCrafter Belt Sander**  
**Motor Assembly Drawing & Parts List #6 2/06**



| Ref No. | Part No | Description                  | Qty | Ref No. | Part No | Description         | Qty |
|---------|---------|------------------------------|-----|---------|---------|---------------------|-----|
| 1       | 40151A  | Motor, 4 Hp 60 Hz            | 1   | 17      | 980603  | Washer              | 1   |
|         | 40531A  | Motor, 2.2 kW 50Hz           | 1   | 18      | 85833A  | Screw               | 1   |
|         | 40672A* | Motor, 2.2 kW 50 Hz          | 1   | 19      | 41304A  | Capacitor, 40 MFD   | 1   |
| 2       | 60350A  | Handle, Motor                | 1   | 20      | 41305A  | Capacitor, Start    | 1   |
| 3       | 22904A  | Enclosure, Motor, Start      | 1   | 21      | 47378A  | Switch, Start       | 1   |
| 4       | 85806A  | Screw, ¼-20 x ½              | 2   | 22      | 170674  | Connector, Wire Nut | 2   |
| 5       | 980657  | Washer, LK, ¼                | 2   | 23      | 45604A  | Plug, Electric      | 1   |
| 6       | 962330  | Screw, 6-32 x ¾              | 4   | 24      | 41945A  | Cord, Motor         | 1   |
| 7       | 697502  | Strain Relief                | 1   | 25      | 52769A  | Fan Cover           | 1   |
| 8       | 60365A  | Pulley, Motor                | 1   | 26      | 40546A  | Fan                 | 1   |
| 9       | 51222A  | Screw, Belt Tensioning       | 1   | 27      | 962727* | Screw, 8-32 x ½     | 8   |
| 10      | 57712A  | Ring, Retaining, Motor Shaft | 1   | 28      | 10603A* | Inlet Asm.          | 1   |
| 11      | 60394A  | Key ¼ x 1 ¾                  | 1   | 29      | 40677A* | Enclosure Switch    | 1   |
| 12      | 73715A  | Plate, Electric/Fire Warning | 1   | 30      | 87700A* | Screw, ¼-20 x ½     | 2   |
| 13      | 10173A  | Motor, Rear Mount            | 1   | 31      | 46323A* | Relay               | 1   |
| 14      | 962565  | Screw, ¾-16 x ¾              | 6   | 32      | 41306A  | Capacitor 60 MFD    | 1   |
| 15      | 87034A  | Retainer, Motor Pulley       | 1   | 33      | 40676A* | Switch Control      | 1   |
| 16      | 962870  | Screw, ¾-16 x 1              | 1   | 34      | 40921A* | Capacitor 40 MFD    | 1   |
|         |         |                              |     | 35      | 41419B* | Circuit Breaker     | 1   |