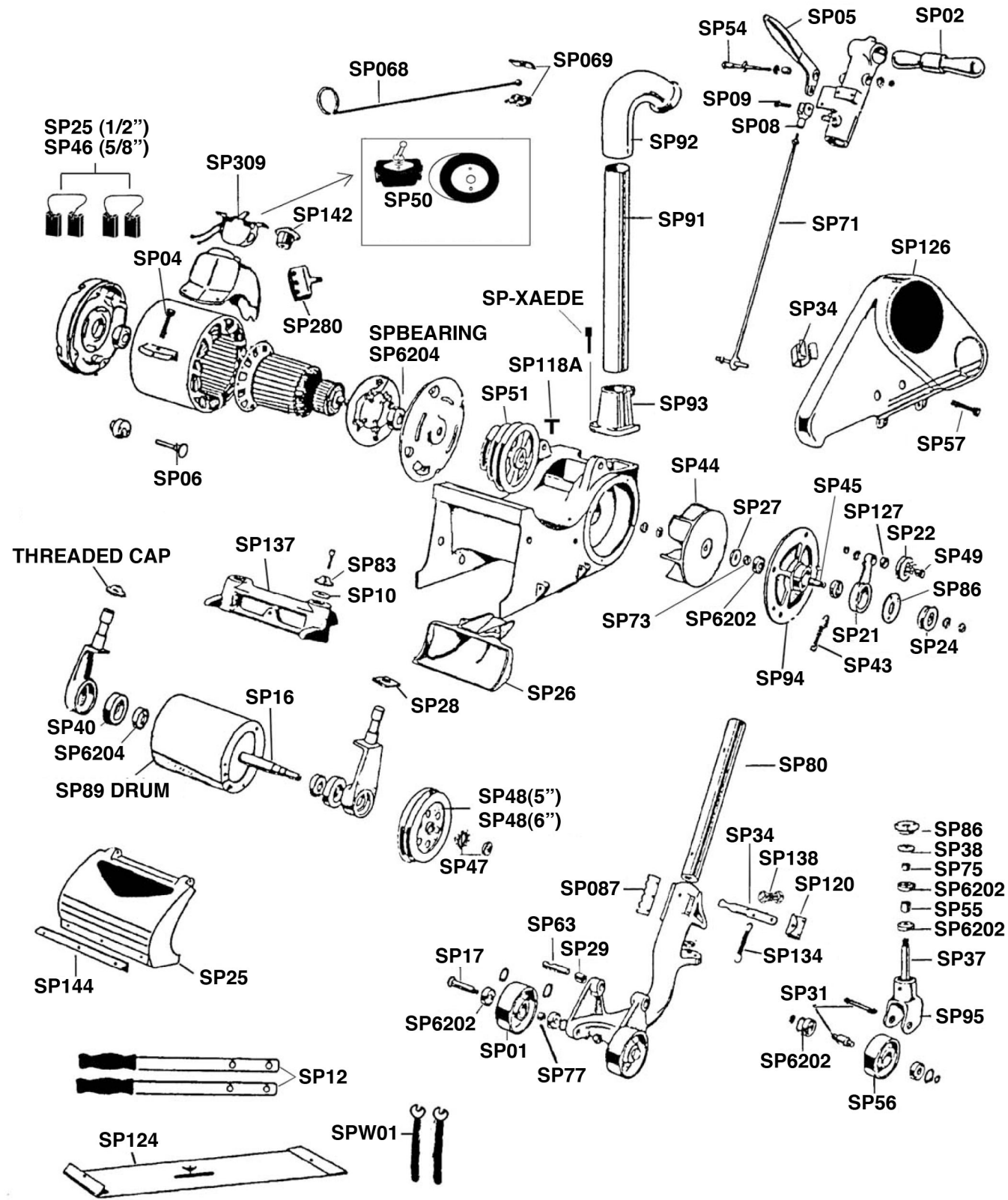


# Clarke & Portercable F89



Part	Description	Part	Description
SP6202	Bearing	SP91	Dust Pipe
SP6204	Bearing	SP92	Elbow
SP34	Clip, Side Cover	SP93	Pipe Support
SP86	Retainer, Bearing	SP94	Fan Plate
SP01	Side Wheel	SP95	Yoke
SP02	Wooden Handle	SP068	Rod, Cable Support
SP04	Screw, Motor, F89	SP069	Cable, Bracket Assembly
SP05	Control Handle	SP087	Plate, Pressure Control
SP06	Motor Mount Pin	SP120	Bracket, Pressure Lever
SP08	Control Rod Fork	SP134	Spring, Pressure Control
SP09	Fork Pin	SP280	Switch 110/220
SP10	Rubber Washer (Set of 2)	SP309	Switch 30 Amp
SP118A	Screw, Wing	SP89	8" Recovered Drum
SP12	Carry Handles/Set	SP25	Motor Brushes (Set of 2)
SP124	Template F89	SPW01	Wrenches (Set of 2)
SP126	Belt Guard F89	SPBEARING	Bearing
SP127	Spacer	XP-XAEDE	Screw, Socket, 10-24x0.625
SP137	Bracket, Nose F89		
SP138	Lever Stud		
SP142	Pigtail Assembly 20 amp		
SP144	Bumper F89 & 504		
SP16	Drum Shaft F89		
SP17	Side Wheel Axle		
SP21	Idler Arm		
SP22	Idler Pulley		
SP24	Fan Pulley		
SP25	Drum Cover F89		
SP26	Dust Pan F89		
SP27	Fan Seal		
SP28	Shock 2 per set		
SP29	Chassis Bearing		
SP31	Axle Assembly		
SP34	Tension Lever		
SP37	Pivot Bolt		
SP38	Caster Seal		
SP40	Bearing Retainer Ring		
SP43	Spring, Idler		
SP44	Fan		
SP45	Fan Shaft		
SP46	Master Motor Brushes (Set of 2)		
SP47	Nut & Washer		
SP48(5")	Drum Pulley 5"		
SP48(6")	Drum Pulley 6"		
SP49	Idler Pulley Shaft		
SP51	Motor Pulley		
SP54	Handle Stud		
SP55	Long Collar		
SP56	Rear Wheel Assembly		
SP57	Side Cover Screw		
SP63	Chassis Fulcrum		
SP71	Control Rod		
SP73	Spacer, Fan Collar		
SP75	Caster Bearing Spacer		
SP77	Side Wheel Spacer		
SP80	Handle Pipe		
SP83	Drum Arm Washer		