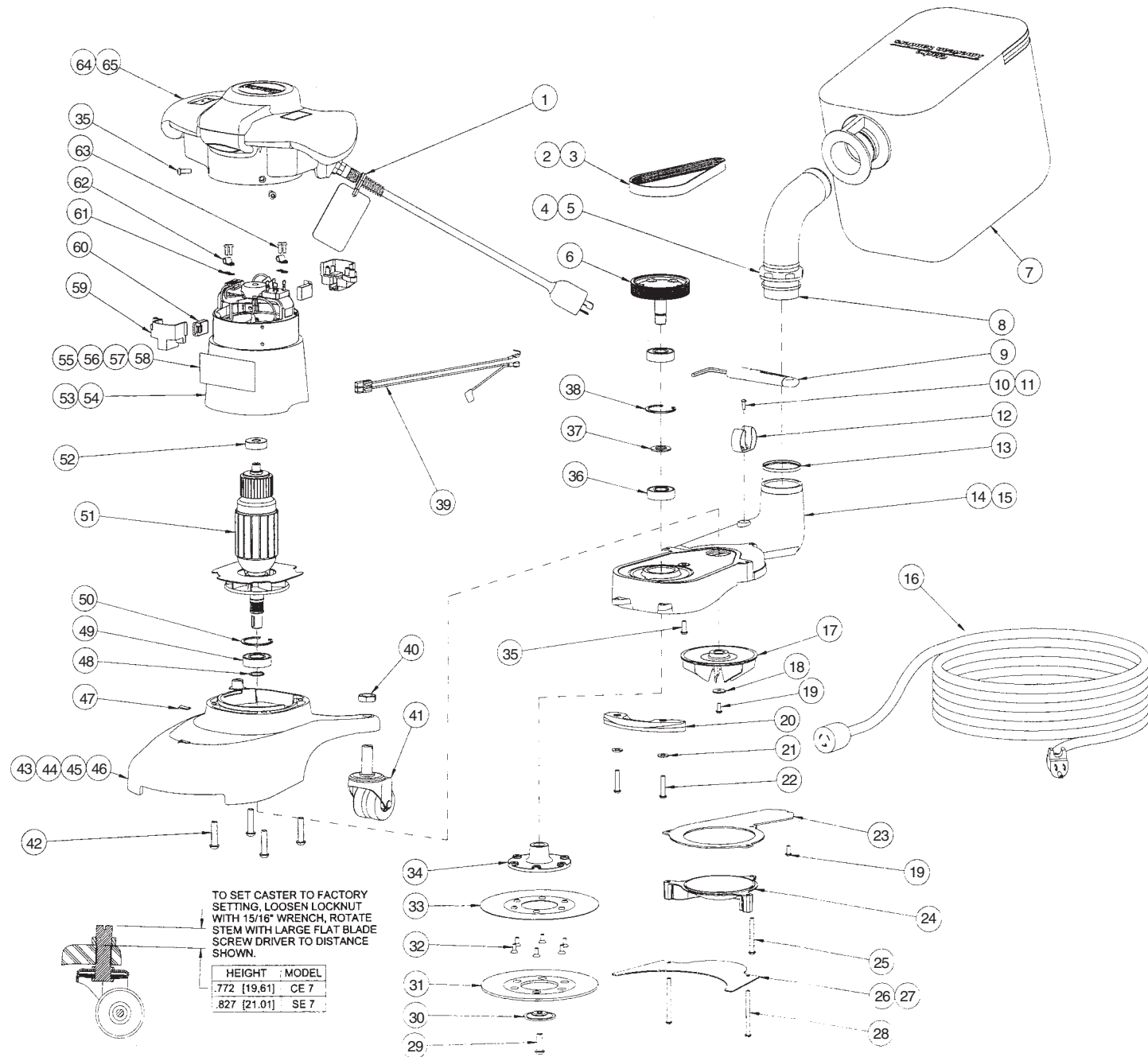


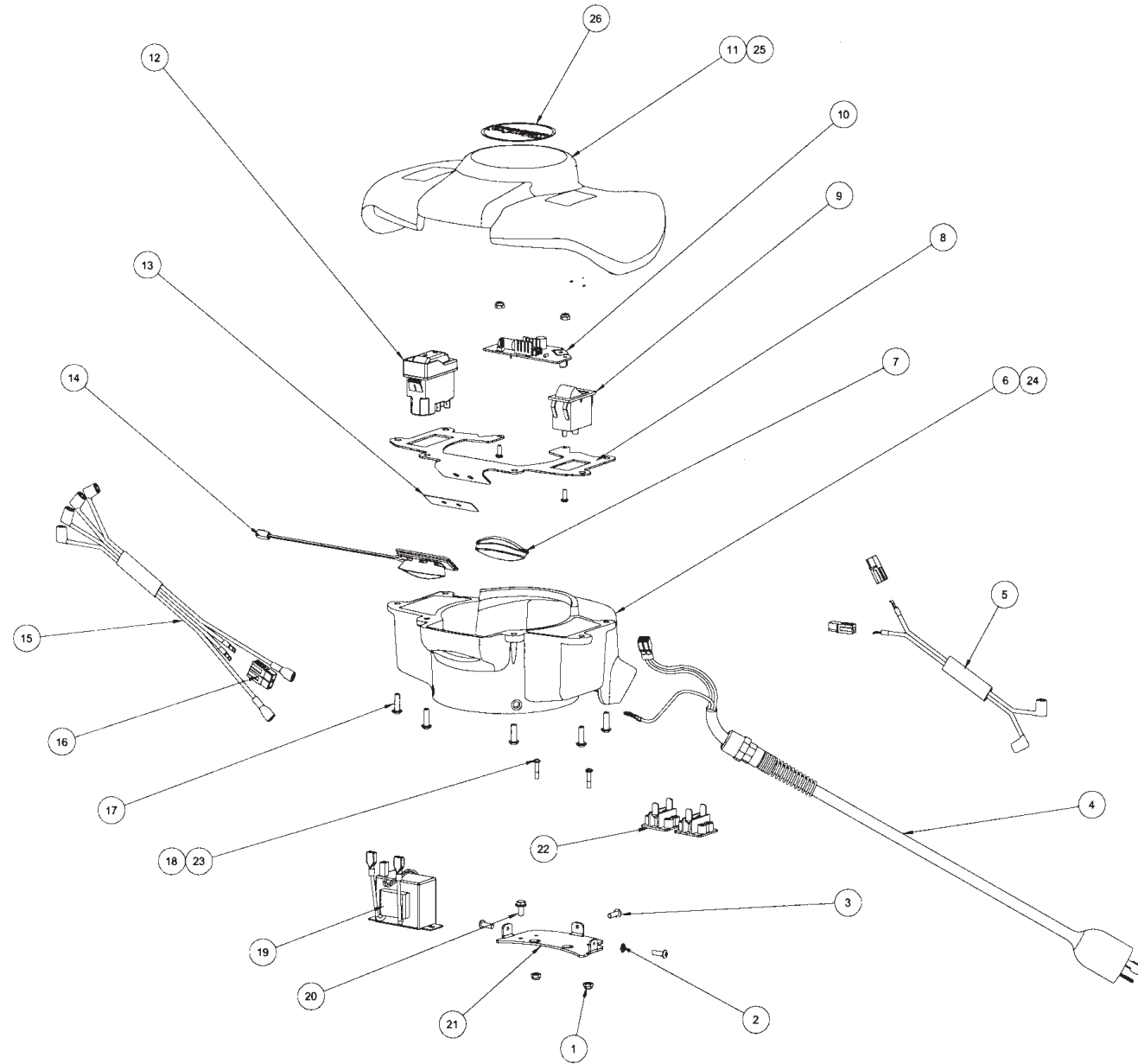
**Clarke®  
American Sanders**  
Model CE7 Pro, SE7 Pro, CE7 Pro+ & SE7 Pro+  
Assembly Drawing 11/08



**Clarke®  
American Sanders**  
Model CE7 Pro, SE7 Pro, CE7 Pro+ & SE7 Pro+  
Assembly Parts List 11/08

Ref.	Part No.	Description	Models			
			07170A	07105A	07176A	07180A
1	70175A	Tag, Warning	1	1	1	1
2	53772A	Belt Extension CE7	1	1		
3	53775A	Belt Drive SE7			1	1
4	80276A	Nut, Slip Joint 2" x 2"	1	1	1	1
5	990507	Loctite RC601	1	1	1	1
6	29908A	Pulley, Driver	1	1	1	1
7	53544C	Bag, Edger CE7/SE7	1	1	1	1
8	61712A	Tube, Exhaust, B-2	1	1	1	1
9	39875A	Multipurpose Tool	1	1	1	1
10	80362A	Screw, M4-.7 x 12 Btn Hd	1	1	1	1
11	93801A	Loctite Thread Locket	1	1	1	1
12	61858A	Clip, Steel 3/4" to 1-1/8"	1	1	1	1
13	30613A	Seal, Pipe	2	2	2	2
14	29906A	Support, Bearing	1	1		
15	29907A	Support, Bearing			1	1
16	42300A	Cordset, 14-3 x 25' SO/SOW	1	1		
17	29902A	Fan, CE/SE7 Dust	1	1	1	1
18	80291A	Washer, Flat #10	1	1	1	1
19	80363A	Screw, M5-.8X12 BT	2	2	2	2
20	39867A	Wall Guard	1	1	1	1
21	980646	Washer, 1/4" Flat	2	2	2	2
22	80327A	Screw, M6-1X30 Btn Hd	2	2	2	2
23	61861A	Baffle, Fan	1	1	1	1
24	39866A	Shroud, Fan	1	1	1	1
25	80356A	Screw, M6-1X50 Btn Hd	1	1	1	1
26	61853A	Plate, Bottom Dust	1	1		
27	61854A	Plate, Bottom Dust			1	1
28	80325A	Screw, M5-.8X65 Btn Hd	1	1	1	1
29	80357A	Screw, M8-1.25X25 Btn Hd	1	1	1	1
30	62411A	Washer	1	1	1	1
31	39864A	Pad, Hook & Loop	1	1	1	1
32	80364A	Screw, M5-.8X12 FHSR	6	6	6	6
33	61851A	Sanding Disk	1	1	1	1
34	29910A	Hub, Pad Driver	1	1	1	1
35	80326A	Screw, M6-1X16 Btn Hd	5	5	4	4
36	902550	Bearing, Ball, 6203	2	2	2	2
37	61860A	Spacer, Pad Bearing	1	1	1	1
38	067304	Ring, Retaining Internal	1	1	1	1
39	40252A	Speed Select Interconnect	1	1		
40	80361A	Nut, M16-2 Hex Thin Jam	2	2	2	2
41	39865A	Caster and Yoke Assembly	2	2	2	2
42	80358A	Screw, M8-1.25X35 Btn Hd	4	4	4	4
43	29904A	Frame, Long Polished	1			
44	29905A	Frame, Long Charcoal Grey		1		
45	29919A	Frame, Short Polished			1	
46	29920A	Frame, Short Charcoal Grey				1
47	30188A	Plug, Access Hole CE/SE 7	1	1	1	1
48	877305	Ring, Retaining EXT .781	1	1	1	1
49	53771A	Ball Bearing, 6004	1	1	1	1
50	877304	Ring, Retaining Internal	1	1	1	1
51	11119A	Armature CE/SE 7 120V	1	1	1	1
52	51126A	Bearing, 6201	1	1	1	1
53	Page 38	Motor Housing Assembly	1	1		
54	Page 38	Motor Housing Assembly	1		1	
55	71464A	Label, CE7 Pro+	1			
56	71465A	Label, CE7 Pro		1		
57	71466A	Label, SE7 Pro+			1	
58	71467A	Label, SE7 Pro				1
59	40717A	Brush, Holder	2	2	2	2
60	40583A	Brush, Carbon Terminated	2	2	2	2
61	980603	Washer, #10 Lock Ext Tooth	4	4	4	4
62	98464A	Clamp, 1/4" Nylon Tubing	2	1	2	1
63	962027	Screw, 8-32X1/2 PH	4	4	4	4
64	Page 36	Handle Assembly	1	1		
65	Page 36	Handle Assembly		1		1

**Clarke®  
American Sanders**  
Model CE7 Pro, SE7 Pro, CE7 Pro+ & SE7 Pro+  
Handle Assembly Drawing 11/08

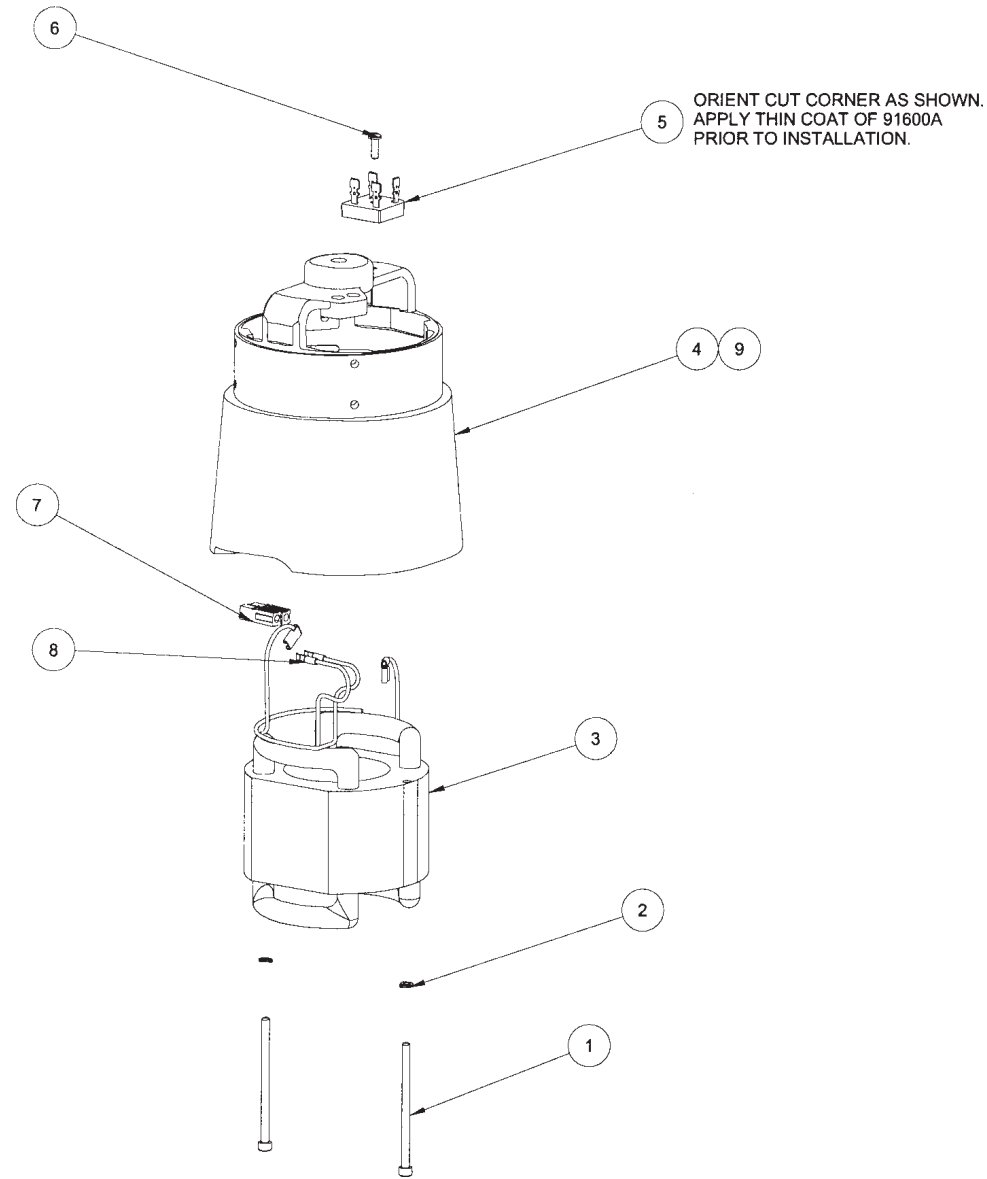


**Clarke®  
American Sanders**  
Model CE7 Pro, SE7 Pro, CE7 Pro+ & SE7 Pro+  
Handle Assembly Parts List 11/08

Ref.	Part No.	Description	Models			
			07170A	07176A	07175A 07180A	
1	920056	Nut, 6-32 E.S.N.A. Nylock	4	4	2	2
2	980621	Washer, Ext. Tooth Lock	1	1	1	1
3	962727	Screw, 8-32X1/2	3	3	3	3
4	40943A	Cord, Adapter	1	1	1	1
5	11344A	Speed Select, Wire Asm.	1	1		
6	29912A	Handle, Lower Polished	1	1		
7	39871A	Lens, Transparent Polycarbonate	1	1	1	1
8	61856A	Plate, Switch	1	1	1	1
9	47365A	Switch, Rocker	1	1		
10	40947A	LED Power Regulator	1	1		
11	29915A	Handle, Polished	1	1		
12	40948A	Switch, 16A, 115V 60 Hz Coil	1	1	1	1
13	40265A	Tape, Thermally Conductive	1	1		
14	40945A	LED Board and Wiring Asm.	1	1		
15	11343A	Control Switch Wire, Asm.	1	1	1	1
16	43401A	Housing Connector	4	4	2	2
17	80324A	Screw, M5-.8X16 Btn Hd	6	6	6	6
18	85313C	Screw, PHMS 6-32X3/8	4	4		
19	40946A	Transformer Asm. 10:1	1	1		
20	85833A	10-32X3/8 HW Type 23	1	1	1	1
21	61855A	Plate, Support	1	1	1	1
22	41079A	Terminal Junction 1/4"X2 Tabs			2	2
23	962738	Screw, 6-32X5/8" P.H.			2	2
24	29913A	Handle, Lower Charcoal, Grey			1	1
25	39868A	Handle			1	1
26	71468A	Label, CAS	1	1	1	1

**Clarke®  
American Sanders**

**Model CE7 Pro, SE7 Pro, CE7 Pro+ & SE7 Pro+  
Motor Housing Assembly Drawing and Parts List 11/08**



ORIENT CUT CORNER AS SHOWN.  
APPLY THIN COAT OF 91600A  
PRIOR TO INSTALLATION.

Ref.	Part No.	Description	Qty.			
			07170A	07176A	07175A	07180A
1	86117A	Screw, 10-24X3 SHMS	2	2	2	2
2	980650	Washer, #10 Lock	2	2	2	2
3	40718A	Field 115V	1	1	1	1
4	29911A	Motor Housing, Polished	1	1		
5	912287	Rectifier, Full Wave 50A 600V	1	1		
6	962027	Screw, 8-32X1/2 PH	1	1		
7	43401A	Housing, Connector	2	2	2	2
8	41809A	Contact, Housing Connector	2	2	2	2
9	29914A	Motor Housing, Charcola Grey			1	1

**Clarke®  
American Sanders**

**Model CE7 Pro, SE7 Pro, CE7 Pro+ & SE7 Pro+  
Wiring Diagram 11/08**

