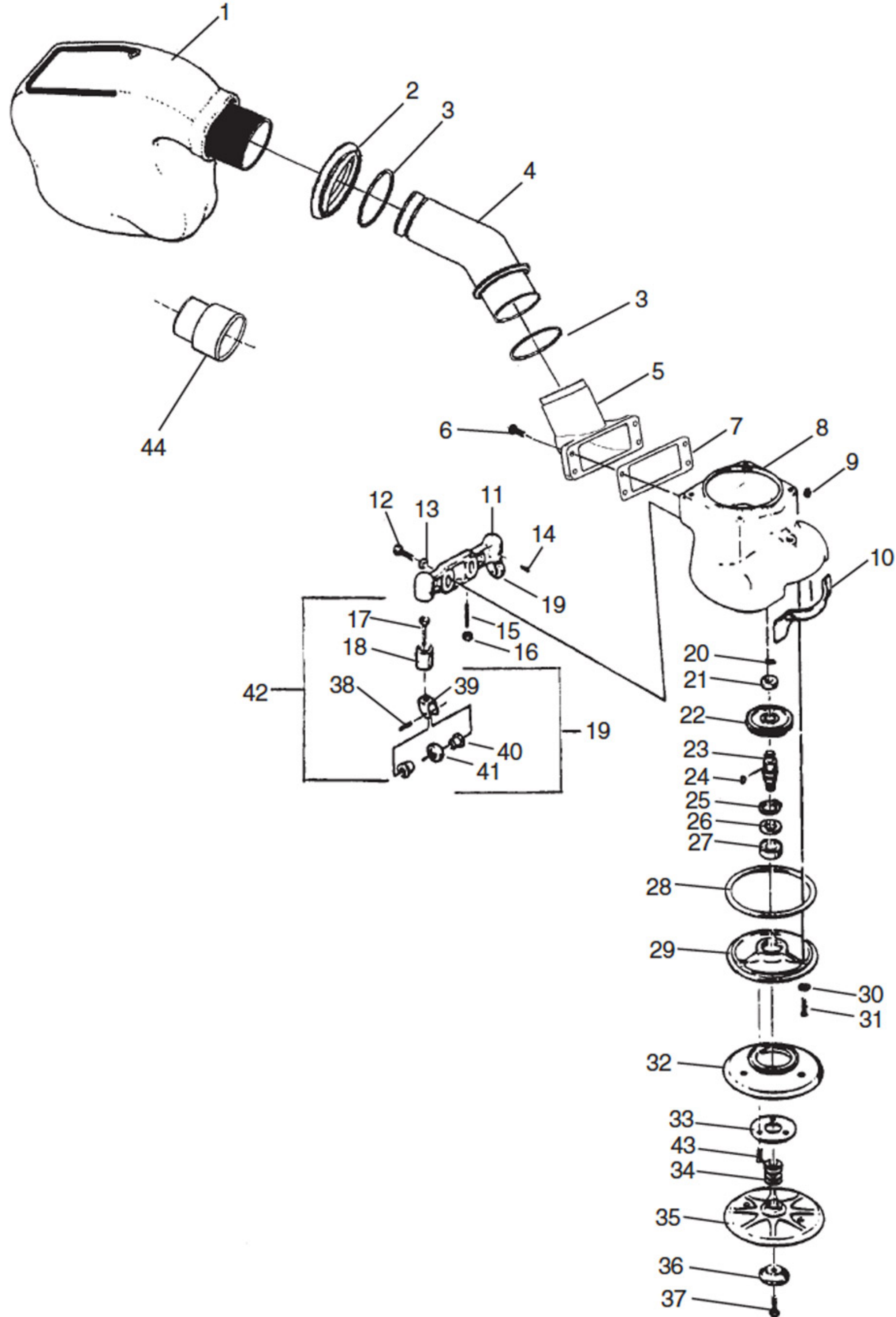


**Clarke®
American Sanders**

Model American B-2+ 7" Spinner Edger
Drawing #1 11/04



**Clarke®
American Sanders**

Model American B-2+ 7" Spinner Edger
Parts List #1 3/06

Ref.	Part No.	Description	Qty.
1	53544B	Bag, Dust	1
2	80276A	Nut, Slip Joint 2" x 2"	1
3	30613A	Washer Seal	2
4	61712A	Tube, Exhaust	1
5	21078A	Adaptor, Exhaust	1
6	962454	Screw - ¼ - 20 x 1	4
7	34233A	Gasket	1
8	24509B	Housing - Gear	1
9	66130A	Plug	1
10	38103A	Gasket	1
11	21106A	Barcket - Caster	1
12	85814A	Screw - 5/16 -18 x 1¼ Hx Hd	2
13	980676	Washer - 5/16 Fit	2
14	962015	Screw-Set 10-24 x 3/8	2
15	86203A	Screw - 5/16-18 x 1½ St	2
16	920160	Nut - 5/16-18 Hx Jam	2
17	85701A	Screw-¼-20 x 1½ Hx St	2
18	51128A	Bearing	2
19	19901A	Yoke Assembly - Caster	2
20	467308	Ring - Retaining	1
21	51127A	Bearing	1
22	61568A	Gear	1

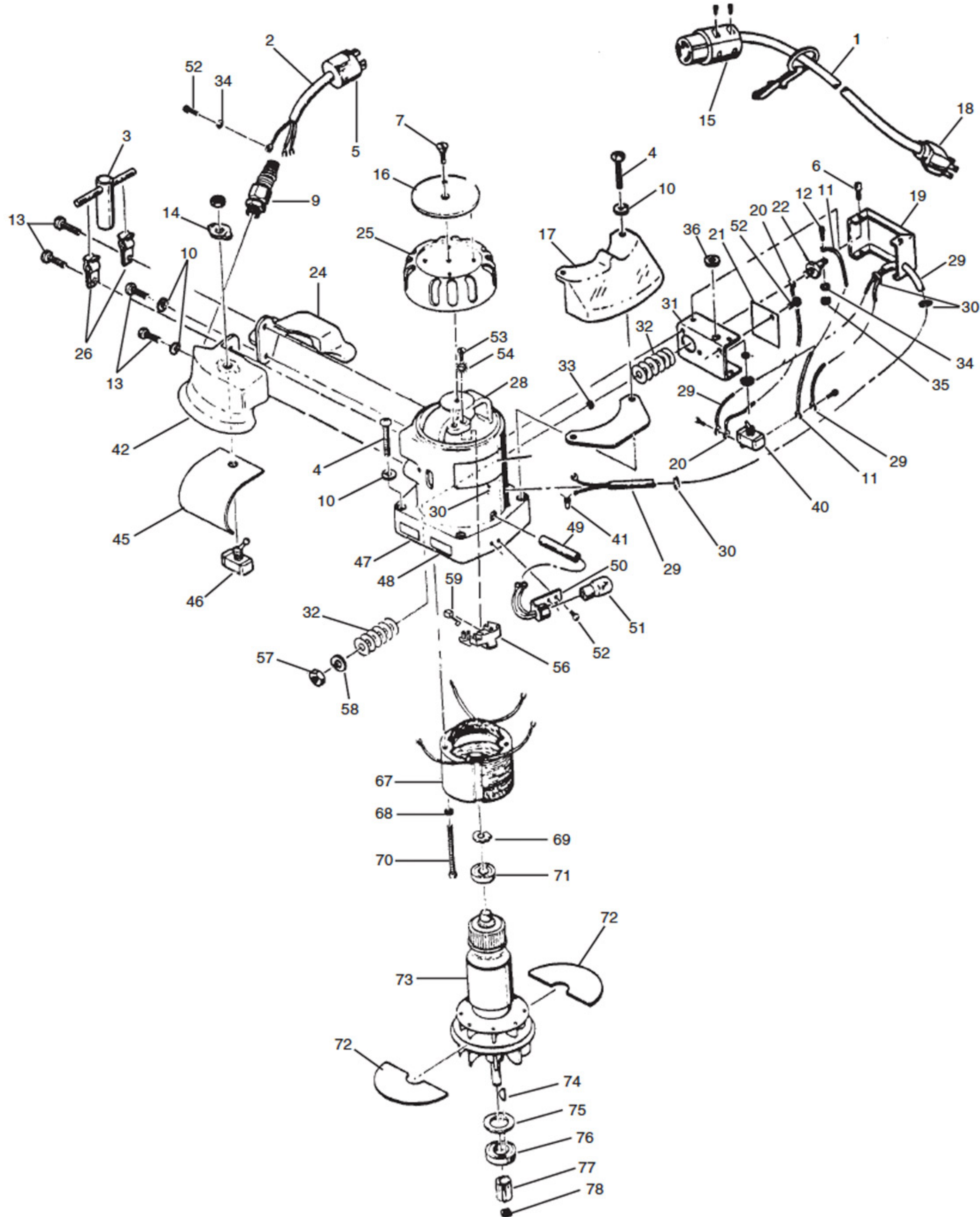
Ref.	Part No.	Description	Qty.
23	67426A	Shaft	1
24	915028	Key	1
25	57702A	Ring - Retaining	1
26	58114A	Seal - Oil	1
27	902550	Bearing	1
28	34232A	Gasket	1
29	12906A	Cover - Gearcase	1
30	59817A	Washer - 1/4 Nylon Countersink	3
31	962098	Screw - ¼-20 x ¾ Fit Hd	3
32	15000A	Guard - Roller	1
33	66917A	Retainer	1
34	39707A	Washer - Felt	4
35	13200A	Disc - Sanding	1
36	62411A	Clamp - Paper	1
37	85715A	Screw - 5/16-18 x 1 Hx Hd	1
38	925592	Pin ¼ x 1 Spirol	2
39	29404A	Yoke, Edger Caster	2A
40	50740A	Bearing, Ball, ¼ x ¾ Shield	4
41	299704	Roller Caster	2
42	12203A	Caster Assembly	2
43	84200A	Screw - 8-32 x ½ Fit Hd	4
44	30563A	Adaptor, 2" Tube x 1 1/2" Hose	1
NI	52853A	Edger Skirt, B-2	1

NI = Not illustrated

Note: Ref. #19 (19901A) includes ref #'s 17, 38, 39, 40 (2), & 41

Note: Ref. #42 (12203A) includes ref #'s 17, 18, 38, 39, 40 (2), & 41.

Clarke
American Sanders
 Model American B-2+ 7" Spinner Edger
 Drawing #2 11/04



Clarke
American Sanders
 Model American B-2+ 7" Spinner Edger
 Parts List #2 11/04

Ref.	Part No.	Description	Qty.	Ref.	Part No.	Description	Qty.
1	42234A	Cord Assembly - 115 V	1	34	87201A	Washer - Lock #6	2
	42301A	Cord Assembly - 230 V	1	35	920112	Nut - 6 x 32 Hex	1
	40007A	Cord Assembly, 50', w/AU1-10P	1	36	50431A	Plate, Switch Hi-Lo	1
2	41919A	Cord - Interconnecting - 115 V	1	39	38104A	Seal	1
	41920A	Cord - Interconnecting - 230 V	1	40	47320A	Switch - Toggle HiLo	1
3	68705A	Wrench - Special	1	41	911139	Nut - Wire	1
4	85333A	Screw - 1/4-20 x 2 Pn Hd	4	42	24302A	Handle - Right	1
5	912169	Plug - Male Twist Lock - 115 V	1	45	46710A	Shield - Insulating	1
	45602A	Plug - male Twist Lock - 230 V	1	46	47322A	Switch - On/Off	1
6	85411A	Screw - 6-32 x1/4	4	47	215103	Label	1
7	80081A	Screw - 5/16-24 x 1/2 FT	1	48	215110	Label	1
9	33750A	Strain Relief	1	49	39305A	Tubing	1
10	980657	Washer - 1/4 Lock	8	50	18403A	Socket	1
11	49301A	Wire Assembly	1	51	911113	Bulb - 115V	1
12	962330	Screw - 6-32 x 1/4 RD St Mach	1	911116	Bulb - 230V	1	
13	962454	Screw - 1/4-20 x 1	4	52	962065	Screw, 8-32 x 1/4 Pn St Mach	6
14	646302	Plate - Switch	1	53	962727	Screw, 8-32 x 1/2 Pn St	4
15	911461	Connector 115V	1	54	980621	Washer, Star	4
	41708A	Connector 230V	1	55	980643	Washer, 7/16 OD x .036 Thk	2
16	70686A	Plate - Name	1	56	40717A	Holder, Brush	2
17	22113A	Cover	1	57	81300A	Nut	1
18	45603A	Plug - 230V	1	58	980601	Washer - SH #1214	1
	911248	Plug -115V	1	59	40583A	Brush, Carbon Terminated	2
	40023A	Plug, AU1-10P	1	67	40718A	Field Assembly - 115V	1
19	16091A	Switch Box	1	40719A	Field Assembly - 240V	1	
20	49302A	Wiring Assembly	1	68	980699	Washer - SH #1210	2
21	46711A	Paper Insulating	1	69	58602A	Spring	1
22	42400A	Diode	1	70	85358A	Screw - 10-24 x 3 1/2 Pn SS	2
24	24303A	Handle - Left	1	71	51126A	Bearing	1
25	62003A	Cap - Motor Housing	1	72	60800A	Baffle	2
26	64601A	Holder - Wrench	2	73	10111A	Armature - 115V	1
28	24510A	Housing - Motor	1	10112A	Armature - 230V	1	
	24535A	Housing - Motor (AU)	1	74	65302A	Key	1
29	41918A	Wiring Assembly	1	75	58113A	Seal	1
30	54816A	Relief - Strain	4	76	902550	Bearing	1
31	16091A	Box - Switch	1	77	63701A	Gear - Pinion	1
32	48800A	Washer - Insulating	12	78	57701A	Ring - Retaining	1
33	41001A	Bushing - Insulating	3	N	31408A	Edger Case, B2	1

NI = Not illustrated