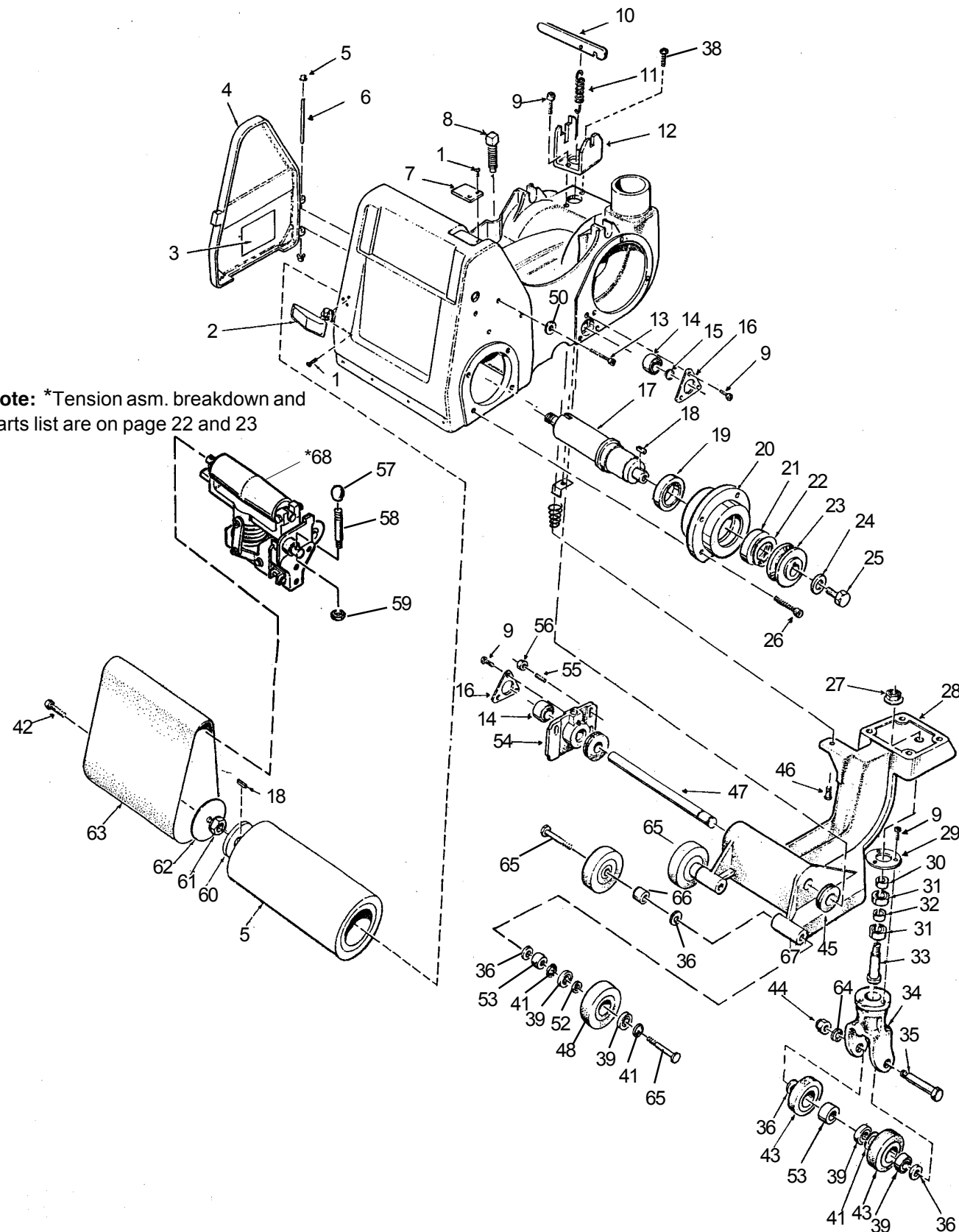


AMERICANSANDERSTECHNOLOGY  
Apollo 8 Belt Sander  
Assembly Drawing #1 12/00



Note: \*Tension asm. breakdown and parts list are on page 22 and 23

AMERICANSANDERSTECHNOLOGY  
Apollo 8 Belt Sander  
Assembly Parts List #1 12/00

| Ref No. | Part No | Description               | Qty |
|---------|---------|---------------------------|-----|
| 1       | 85517A  | Screw, 10-24 x 1/2 PN     | 5   |
| 2       | 55710A  | Latch                     | 1   |
| 3       | 77057A  | Label, Belt Tracking      | 1   |
| 4       | 22302A◆ | Door Access               | 1   |
| 5       | 50765A  | Wheel, Contact            | 2   |
| 6       | 66545A  | Pin Access Door           | 1   |
| 7       | 61411A  | Pad, T-Screw              | 1   |
| 8       | 86206A  | Screw, Set, 3/4-10 x 3    | 1   |
| 9       | 962823  | Screw, 1/4-20 x 1/2 PN    | 11  |
| 10      | 60015A  | Lever, Pressure Adj.      | 1   |
| 11      | 58691A  | Spring, Pressure          | 1   |
| 12      | 60014A  | Bracket, Pressure Adj.    | 1   |
| 13      | 86112A  | Screw 3/8 -16 x 3/4       | 3   |
| 14      | 51190A  | Bearing                   | 2   |
| 15      | 57714A  | Ring, Retaining 3/4" Dia. | 1   |
| 16      | 66972A  | Retainer, Bearing         | 2   |
| 17      | 67464A  | Shaft, Arbor              | 1   |
| 18      | 65309A  | Key, 1/4 x 7/8            | 2   |
| 19      | 51172A  | Bearing                   | 1   |
| 20      | 61641A  | Carrier, Bearing          | 1   |
| 21      | 51171A  | Bearing                   | 1   |
| 22      | 57844A  | Ring, Retaining           | 1   |
| 23      | 66189A  | Pulley, Drum              | 1   |
| 24      | 87034A  | Retainer, Pulley          | 1   |
| 25      | 962244  | Screw, 3/8 -16 x 3/4"     | 1   |
| 26      | 86110A  | Screw, 3/8 -16 x 1        | 4   |
| 27      | 81209A  | Nut, 1/2-13 Flanged       | 1   |
| 28      | 23423C◆ | Frame, Truck              | 1   |
| 29      | 66913A  | Retainer, Bearing         | 1   |
| 30      | 67812A  | Spacer                    | 1   |
| 31      | 51112A  | Bearing                   | 2   |
| 32      | 67821A  | Spacer                    | 1   |
| 33      | 60715B  | Bolt, Pivot               | 1   |
| 34      | 29403C◆ | Yoke, Wheel               | 1   |

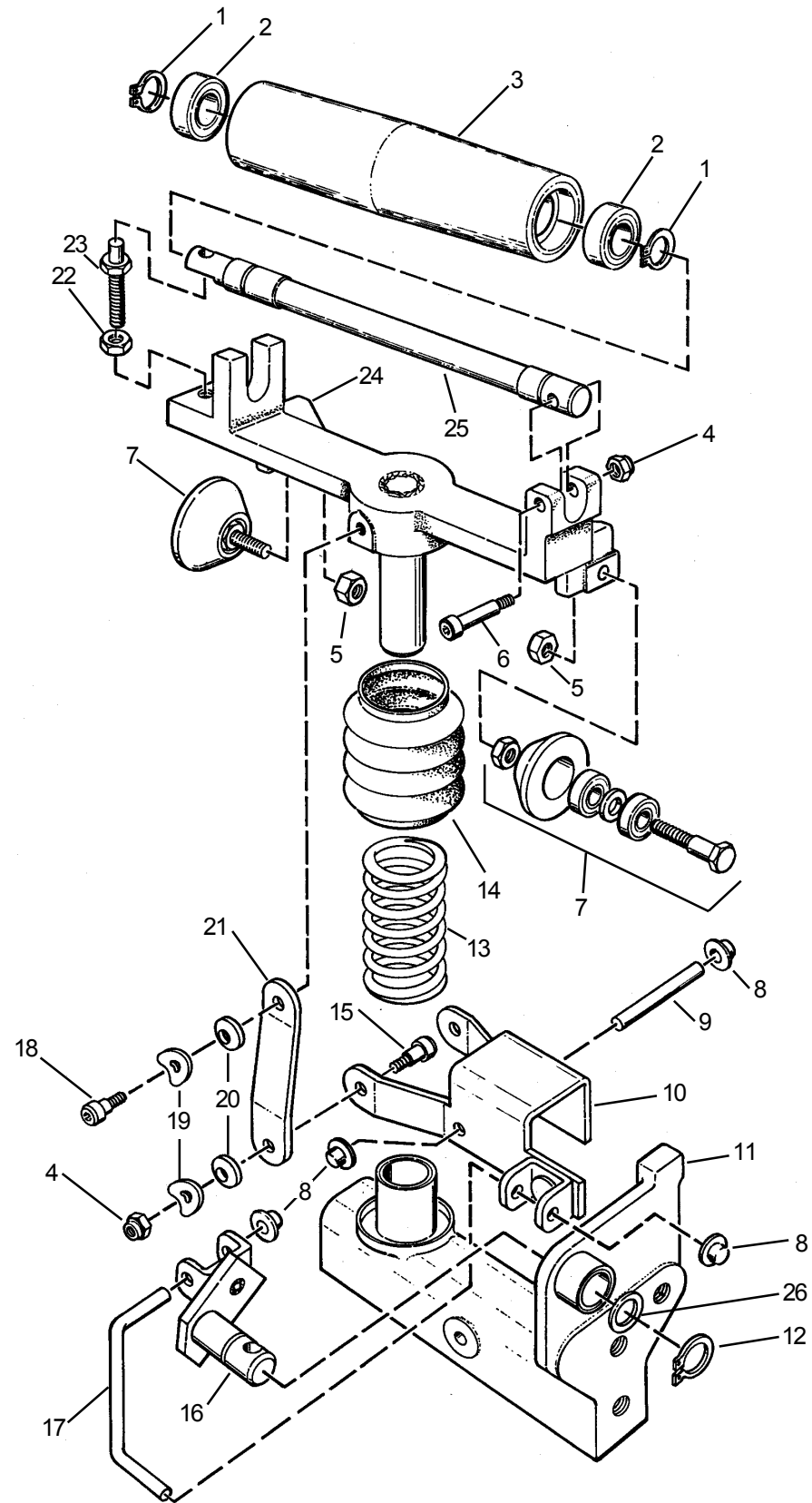
| Ref No. | Part No   | Description                   | Qty |
|---------|-----------|-------------------------------|-----|
| 35      | 60101A    | Axle, Caster                  | 1   |
| 36      | 87003A    | Washer                        | 4   |
| 37      | 50933A    | Retainer, Spring              | 1   |
| 38      | 962988    | Screw, 1/4-20 x 1 1/4         | 1   |
| 39      | 902606    | Bearing                       | 10  |
| 40      | Ref. only | Hub (included in Ref. #43)    | 2   |
| 41      | 747304    | Ring, Retaining               | 8   |
| 42      | 87700A    | Screw, 1/4-20 x 1/2           | 1   |
| 43      | 19611A    | Wheel Asm, Rear Caster        | 2*  |
| 44      | 920196    | Nut, 1/2 -13                  | 1   |
| 45      | 833401    | Spacer                        | 1   |
| 46      | 82504A    | Pin, Clevis, 5/16 x 3/4       | 1   |
| 47      | 60514A    | Axle, Truck                   | 1   |
| 48      | 19610A    | Asm. Truck Wheel              | 3*  |
| 49      | 87029A    | Washer 3/4                    | 1   |
| 50      | 87000A    | Washer, Flat                  | 3   |
| 51      | 50837A    | Spring, Compression           | 1   |
| 52      | 67862A    | Spacer                        | 3   |
| 53      | 67810A    | Spacer                        | 2   |
| 54      | 21401A    | Carrier, Bearing              | 1   |
| 55      | 68010A    | Stud, 3/8-16 x 3/8-24 x 1 1/2 | 3   |
| 56      | 81215A    | Nut, 3/8-24 Serrated Flange   | 3   |
| 57      | 815051    | Knob                          | 1   |
| 58      | 64467A    | Lever, Release                | 1   |
| 59      | 920110    | Nut, 5/16-18 ESNA             | 1   |
| 60      | 87030A    | Retainer, Drum                | 1   |
| 61      | 81106A    | Nut, 3/4-10                   | 1   |
| 62      | 68674A    | Plate, Drum, End              | 1   |
| 63      | Page 11   | Abrasive                      | Ref |
| 64      | 87101A    | Washer, 1/2 Lock              | 1   |
| 65      | 85729A    | Shaft Wheel                   | 3   |
| 66      | 67890A    | Spacer Wheel                  | 2   |
| 67      | 962184    | Screw Set 1/4-20 x 3/8        | 2   |
| 68**    |           | Tension Assembly              | 1   |

Note: ◆ indicates a change has taken place since last publication of this manual

Note: \*Includes Hub and Tire (Machined)

Note: \*\*Tension Asm. breakdown and parts list on page 22 & 23

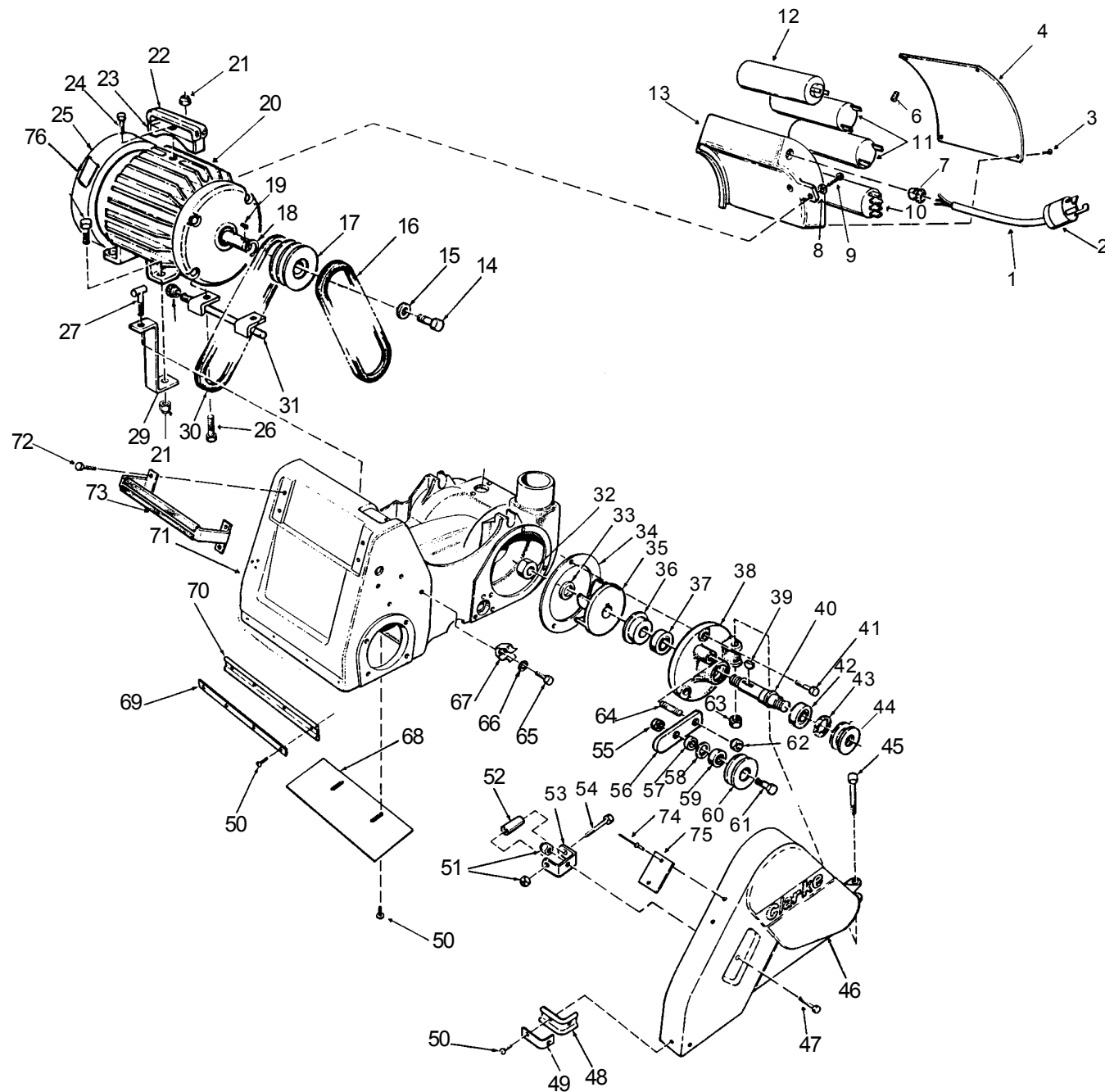
AMERICANSANDERS TECHNOLOGY  
 Apollo 8 Belt Sander  
 Tension Assembly Drawing 10/00



AMERICANSANDERS TECHNOLOGY  
 Apollo 8 Belt Sander  
 Tension Assembly Parts List 10/00

| Ref No. | Part No | Description  | Qty |
|---------|---------|--|-----|
| 1       | 747380  | Retaining Ring <sup>9</sup> / <sub>16</sub>                              | 2   |
| 2       | 902567  | Bearing  | 2   |
| 3       | 67201B  | Roller   | 1   |
| 4       | 920296  | Nut, 10-24   | 3   |
| 5       | 81102A  | Nut, <sup>1</sup> / <sub>4</sub> -20                                     | 2   |
| 6       | 80020A  | Shoulder Bolt, <sup>1</sup> / <sub>4</sub> x 1                           | 1   |
| 7       | 14701A  | Guide, Roller Asm.   | 2   |
| 8       | 81501A  | Pushnut <sup>1</sup> / <sub>4</sub>                                      | 4   |
| 9       | 66537A  | Pin  | 1   |
| 10      | 50772A  | Draw Weldmt.,Lever   | 1   |
| 11      | 50773A  | Support, Tension Arm   | 1   |
| 12      | 797301  | Retaining Ring <sup>5</sup> / <sub>8</sub>                               | 1   |
| 13      | 53410A  | Spring, Tension  | 1   |
| 14      | 50719A  | Boot, Tension Spring   | 1   |
| 15      | 961014  | Shoulder Bolt, <sup>1</sup> / <sub>4</sub> x <sup>3</sup> / <sub>8</sub> | 2   |
| 16      | 61804A  | Cam Weldment   | 1   |
| 17      | 65709A  | Connecting Link  | 1   |
| 18      | 80018A  | Shoulder Bolt, <sup>1</sup> / <sub>4</sub> x <sup>1</sup> / <sub>4</sub> | 2   |
| 19      | 87502A  | Washer, <sup>1</sup> / <sub>4</sub> Bowed                                | 4   |
| 20      | 87503A  | Washer <sup>1</sup> / <sub>4</sub> Beveled                               | 4   |
| 21      | 50770A  | Draw Link  | 2   |
| 22      | 81303A  | Nut, <sup>1</sup> / <sub>4</sub> -28 Jam                                 | 1   |
| 23      | 60150A  | Aduster, Tracking  | 1   |
| 24      | 50771A  | Carriage, Roller   | 1   |
| 25      | 67465A  | Shaft, Roller  | 1   |
| 26      | 980018  | Washer, Nylon  | 1   |

AMERICAN SANDERS TECHNOLOGY  
 Apollo 8 Belt Sander  
 Assembly Drawing #2 12/00



AMERICAN SANDERS TECHNOLOGY  
 Apollo 8 Belt Sander  
 Assembly Parts List #2 12/00

| Ref No | Part No. | Description               | Qty |
|--------|----------|---------------------------|-----|
| 1      | 41945A   | Motor, Cord               | 1   |
| 2      | 45604A   | Plug                      | 1   |
| 3      | 962330   | Screw, 6-32 x 3/8         | 4   |
| 4      | 73715A   | Plate, Elec./Fire Warning | 1   |
| 6      | 170674   | Wire, Nut                 | 2   |
| 7      | 697502   | Strain, Relief            | 1   |
| 8      | 980614   | Washer, 1/4               | 2   |
| 9      | 962823   | Screw, 1/4-20 x 1/2 Pn    | 2   |
| 10     | 47378A   | Switch, Start             | 1   |
| 11     | 41305A   | Capacitor, Start          | 2   |
| 12     | 41304A   | Capacitor, Run            | 1   |
| 13     | 22904A   | Enclosure, Motor Start    | 1   |
| 14     | 962244   | Screw, 3/8-16 x 3/4 Hx    | 1   |
| 15     | 87034A   | Retainer, Pulley          | 1   |
| 16     | 51032A   | Belt, Fan                 | 1   |
| 17     | 66189A   | Pulley, Motor             | 1   |
| 18     | 57712A   | Ring, Retaining 1 1/8     | 1   |
| 19     | 915098   | Key, 1/4 x 1 1/2          | 1   |
| 20     | 44639A   | Motor, 4HP 230V 60Hz      | 1   |
|        | 44664A   | Motor, 2.2kW, 240V 50Hz   | 1   |
| 21     | 920342   | Nut, 3/8-16 ESNA          | 4   |
| 22     | 32357A   | Cover, Handle             | 4   |
| 23     | 64460A   | Handle, Motor             | 1   |
| 24     | 962870   | Screw, 3/8-16 x 1 BT      | 1   |
| 25     | 52769A   | Cover, Fan                | 1   |
| 26     | 85703A   | Screw, 3/8-16 x 1 1/2 Hx  | 4   |
| 27     | 68394A   | Screw-T                   | 1   |
| 28     | 65304A   | Knob, Motor Mounting      | 1   |
| 29     | 65959A   | Mount, Motor Front        | 1   |
| 30     | 51024A   | Belt, 3V x 375            | 1   |
| 31     | 65960A   | Mount, Motor Rear         | 1   |
| 32     | 81202A   | Nut, 7/16 LH              | 1   |
| 33     | 87002A   | Washer                    | 1   |
| 34     | 34264A   | Gasket, Fan, Cover        | 1   |
| 35     | 23301A   | Fan                       | 1   |
| 36     | 61602A   | Collar, spacer            | 1   |
| 37     | 902567   | Bearing                   | 1   |
| 38     | 22126C   | Cover, Fan                | 1   |

| Ref No | Part No. | Description                   | Qty |
|--------|----------|-------------------------------|-----|
| 39     | 65302A   | Key                           | 1   |
| 40     | 67445A   | Shaft, Fan                    | 1   |
| 41     | 85813A   | Screw, 5/16-18 x 1 Hx         | 3   |
| 42     | 51111A   | Bearing                       | 1   |
| 43     | 877304   | Ring, Retaining               | 1   |
| 44     | 66169A   | Pulley, Fan                   | 1   |
| 45     | 80017A   | Bolt, Shoulder, 3/8 x 3/4     | 1   |
| 46     | 23808A   | Guard, Belt                   | 1   |
| 47     | 85700A   | Screw, 1/4-20 x 1 Hx          | 1   |
| 48     | 31221A   | Bumper, Side                  | 1   |
| 49     | 66932A   | Retainer, Side, Bumper        | 1   |
| 50     | 85517A   | Screw, 10-24 x 1/2            | 8   |
| 51     | 81102A   | Nut, 1/4-20 ESNA              | 2   |
| 52     | 68393A   | Tube, Latch                   | 1   |
| 53     | 60623A   | Bracket, Latch                | 1   |
| 54     | 85702A   | Screw, 1/4-20 x 1 3/4         | 1   |
| 55     | 171101   | Nut, 3/8-16 Serrated Flange   | 1   |
| 56     | 60414A   | Arm, Idler                    | 1   |
| 57     | 67875A   | Spacer                        | 1   |
| 58     | 57801A   | Ring, Retaining               | 1   |
| 59     | 902619   | Bearing                       | 1   |
| 60     | 66170A   | Pulley, Idler                 | 1   |
| 61     | 962216   | Screw, 3/8-16 x 1 1/4         | 1   |
| 62     | 81108A   | Nut, 3/8-24                   | 1   |
| 63     | 920110   | Nut, 5/16-18 ESNA             | 1   |
| 64     | 68010A   | Stud, 3/8-16 x 3/8-24 x 1 1/2 | 1   |
| 65     | 86111A   | Screw, 1/4-20 x 1/2           | 1   |
| 66     | 980657   | Washer 1/4 Lock               | 1   |
| 67     | 61600A   | Clip                          | 1   |
| 68     | 67614A   | Shoe, Dust                    | 1   |
| 69     | 66971A   | Retainer, Bumper              | 1   |
| 70     | 31232A   | Bumper, Front                 | 1   |
| 71     | 25906A   | Mainframe                     | 1   |
| 72     | 87700A   | Screw, 1/4-20 x 1/2 B.H.      | 4   |
| 73     | 64489A   | Handle, Front                 | 1   |
| 74     | 930093   | Rivet                         | 2   |
| 75     | 74045A   | Label, Warning, Moving Parts  | 1   |
| 76     | 77234A   | Label, Warning, Lifting       | 1   |

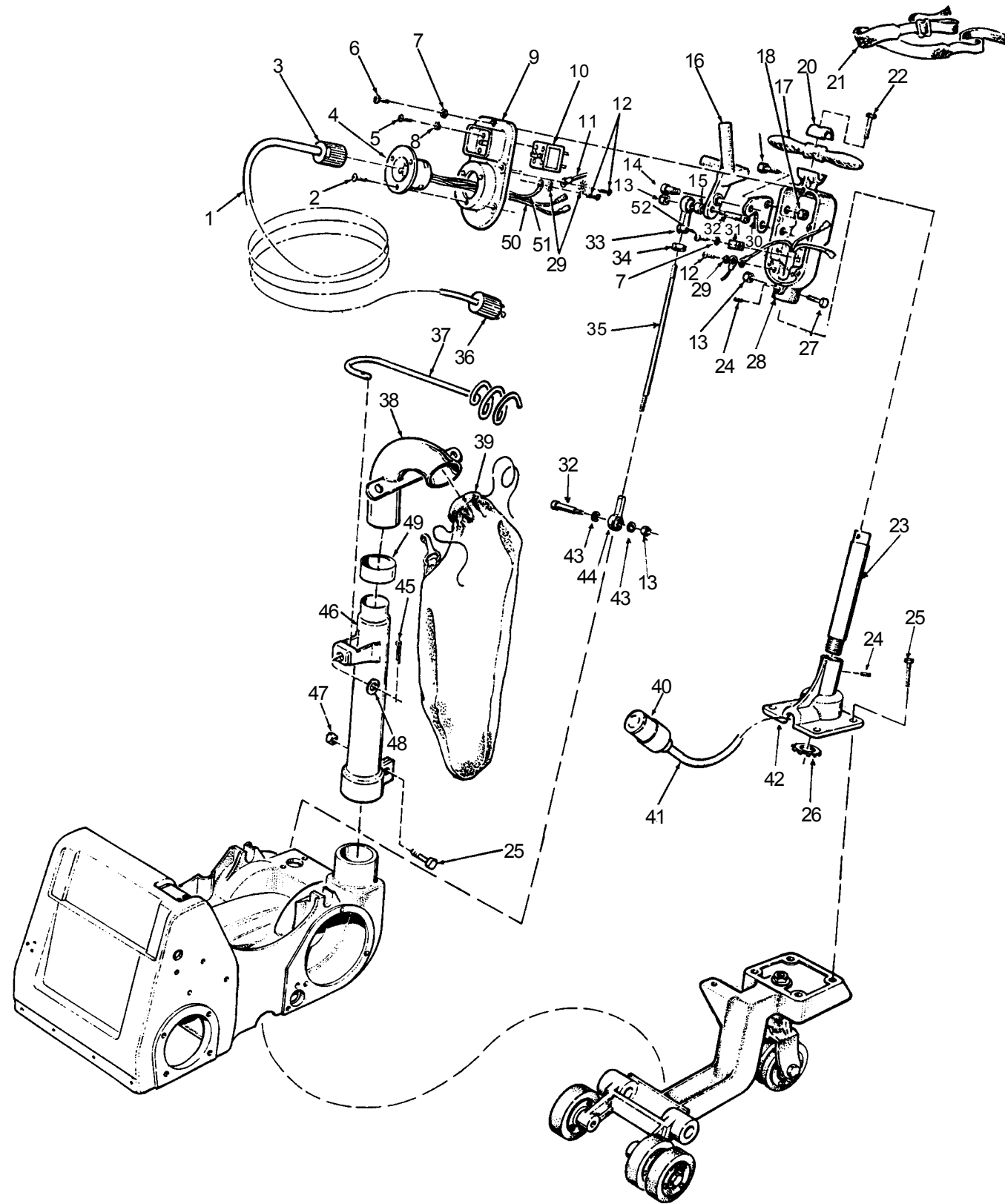
**Note:** ♦ indicates a change has taken place since last publication of this manual

Motor Parts Not Illustrated

| Part # | Description | Qty. |
|--------|-------------|------|
| 52768A | Front Cover | 1    |
| 53998A | Fan         | 1    |
| 52769A | Fan Cover   | 1    |

| Part # | Description       | Qty. |
|--------|-------------------|------|
| 51188A | Bearing Front     | 1    |
| 902547 | Bearing Rear      | 1    |
| 40316A | Armature Assembly | 1    |

AMERICAN SANDERS TECHNOLOGY  
Apollo 8 Belt Sander  
Assembly Drawing #3 12/00



AMERICAN SANDERS TECHNOLOGY  
Apollo 8 Belt Sander  
Assembly Parts List #3 12/00

| Ref. No | Part No. | Description              | Qty |
|---------|----------|--------------------------|-----|
| 1◆      | 42201A   | Cord Set 230V 60 Hz      | 1   |
|         | 42302A   | Cord Set, 240V 50 Hz     | 1   |
| 2       | 962065   | Screw, 8-32 x 1/4        | 3   |
| 3◆      | 41706A   | Connector, NEMA          | 1   |
| 4◆      | 43501A   | Inlet, NEMA              | 1   |
| 5       | 85313C   | Screw, 6-32 x 3/8        | 4   |
| 6       | 962794   | Screw 10 x 24 x 1        | 5   |
| 7       | 980650   | Washer, 3/16 Lock        | 7   |
| 8       | 980607   | Washer, 1106             | 4   |
| 9◆      | 22127C   | Cover, Switch, Box       | 1   |
| 10◆     | 41411A   | Switch, Circuit Breaker  | 1   |
| 11      | 48901A   | Asm., Wire               | 1   |
| 12      | 962015   | Screw, 10-24 x 3/8       | 5   |
| 13      | 920110   | Nut, 5/16 - 18 ESNA      | 4   |
| 14      | 80022A   | Bolt, Shoulder 1/2 x 5/8 | 1   |
| 15      | 898203   | Spacer                   | 1   |
| 16      | 25603A   | Lever, Control           | 1   |
| 17      | 962481   | Screw 1/4-20 x 1 1/4     | 2   |
| 18      | 81102A   | Nut 1/4-20 ESNA          | 2   |
| 19      | 64405A   | Handle, Steering         | 1   |
| 20◆     | 21904C   | Clamp, Handle            | 1   |
| 21      | 60724A   | Belt, Operating          | 1   |
| 22      | 85818A   | Screw, 5/16 - 18 x 2 1/2 | 1   |
| 23      | 60016A   | Pipe, Handle             | 1   |
| 24      | 86200A   | Screw, Set 3/8- 16 x 5/8 | 2   |

**Note:** ◆ indicates a change has taken place since last publication of this manual

| Ref. No | Part No. | Description                 | Qty |
|---------|----------|-----------------------------|-----|
| 25      | 962288   | Screw, 3/8 -16 x 1          | 5   |
| 26      | 82104A   | Nut, 3/4 NPS                | 1   |
| 27      | 85816A   | Screw, 5/16 -18 x 1 3/4     | 1   |
| 28◆     | 20704C   | Box, Switch                 | 1   |
| 29      | 980699   | Washer, 1110                | 3   |
| 30      | 69441A   | Bracket, Control Lever      | 1   |
| 31**    | 51074A   | Clamp, Cable                | 2   |
| 32      | 80035A   | Bolt, Shoulder, 3/8 x 1 1/4 | 2   |
| 33      | 53537A   | Rod, End                    | 1   |
| 34      | 920204   | Nut, 3/8 -24                | 1   |
| 35      | 67150A   | Rod, Control                | 1   |
| 36◆     | 45608A   | Plug, NEMA                  | 1   |
| 37      | 60401A   | Arm, Cable                  | 1   |
| 38      | 62800A   | Elbow, Dust, Pipe           | 1   |
| 39      | 60721A   | Bag, Dust                   | 1   |
| 40      | 41707A   | Connector                   | 1   |
| 41      | 41917A   | Cord, Interconnect          | 1   |
| 42◆     | 23200C   | Mount, Control, Handle      | 1   |
| 43      | 980022   | Washer, Wave                | 2   |
| 44      | 53538A   | Rod, End                    | 1   |
| 45      | 925036   | Pin, Cotter                 | 1   |
| 46      | 66150A   | Pipe, Dust                  | 1   |
| 47      | 920342   | Nut, 3/8 -16 ESNA           | 1   |
| 48      | 980651   | Washer, 3/8 -Plain          | 1   |
| 49      | 38109A   | Seal, Dust Pipe             | 1   |
| 50      | 49023A   | Wire Asm.                   | 2   |
| 51      | 48901A   | Wire Asm. Gnd               | 1   |
| 52**    | 85517A   | Screw 10-24 x 1/2           | 2   |
| NI      | 77039B   | Label "Made in USA"         | 1   |

NOTE: \*\*#31 & #52 only one shown

AMERICANSANDERS TECHNOLOGY  
 Apollo 8 Belt Sander  
 Wiring Diagram 4/95

